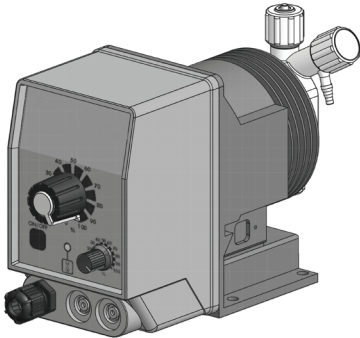


"H" series Metering Pumps

Data Sheet

Configuration Code



Power supply: 230 VAC (190÷265 VAC)
 Power supply: 115 VAC (90÷135 VAC)
 Power supply: 24 VAC (20÷32 VAC)
 Power supply: 12 VDC (10÷16 VDC)

| MODELS | | |
|--------|------|--|
| Code H | MOD. | DESCRIPTION |
| TA | "TA" | Constant pump with stroke speed (frequency) adjustment and stroke length adjustment. |
| TS | "TS" | Proportional pump driven by external digital signal, with level control: to each external pulse corresponds one pump stroke. |
| SO | "SO" | Proportional pump driven by external digital signal: to each external pulse corresponds one pump stroke. |
| TI | "IC" | Constant-proportional pump driven by current signal (0/4mA=0 pulses; 20mA=max pulses) and level control. |

| CAPACITIES | | | |
|------------|-------------------|---------------------|-------|
| H Models | | | Hoses |
| 1802 | 2 l/h at 18 bar | 0.53 GPH at 261 PSI | 4 x 8 |
| 1504 | 4 l/h at 15 bar | 1.06 GPH at 217 PSI | 4 x 6 |
| 1005 | 5 l/h at 10 bar | 1.32 GPH at 145 PSI | 4 x 6 |
| 1002 | 2 l/h at 10 bar | 0.53 GPH at 145 PSI | 4 x 6 |
| 10006 | 0,6 l/h at 10 bar | 0,16 GPH at 145 PSI | 4 x 6 |
| 0808 | 8 l/h at 8 bar | 2.11 GPH at 116 PSI | 4 x 6 |
| 0704 | 4 l/h at 7 bar | 1.05 GPH at 102 PSI | 4 x 6 |
| 0510 | 10 l/h at 5 bar | 2.64 GPH at 58 PSI | 4 x 6 |
| 0214 | 14 l/h at 2 bar | 3.69 GPH at 29 PSI | 4 x 6 |
| 0705 | 5 l/h at 7 bar | 1.32 GPH at 87 PSI | 4 x 6 |

| POWER SUPPLY | |
|------------------------|-------------------------|
| 00 | 230 VAC Schuko plug |
| 05 | 230 VAC australian plug |
| 01 | 230 VAC without plug |
| 03 | 115 VAC US plug |
| 04 | 24 VAC without plug |
| 05 | 12 VDC * |
| 07 | 24 VDC |
| * On some models only. | |

Model H TA 0705 1 00 00

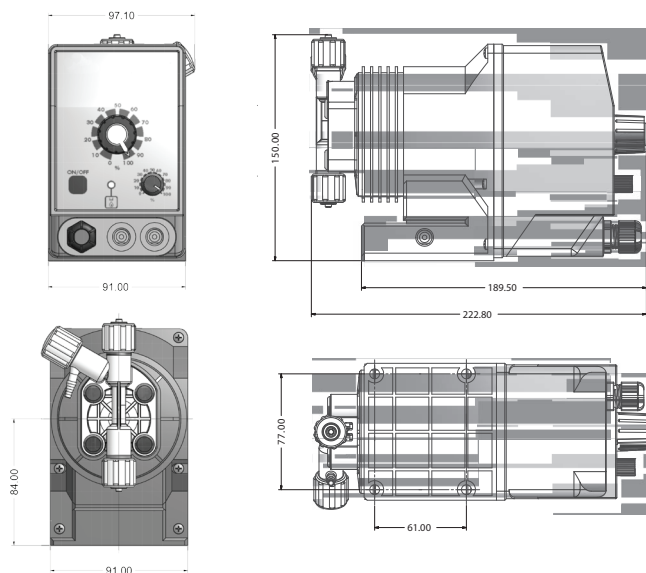
| LIQUID ENDS | | | | | | | |
|-------------|------|---------|---------|-----------|----------|---------|-----------|
| | HEAD | ORINGS | VALVE | DIAPHRAGM | HOSES | | VISCOSITY |
| | | | Balls | | Delivery | Suction | Max CPS |
| 1 | PVDF | Viton * | Ceramic | PTFE | PE | PVC | 100 |

Viton * is a registered trademark DuPont Dow Elastomers.

"H" series Metering Pumps

Data Sheet

| INFORMATION FOR H MODELS | | | | | | |
|--------------------------|---------------|-----|---------------------------------|---|---|----------------------|
| Models | Strokes speed | | Stroke length range reliability | Power consumption at max flow (230 VAC) | Power consumption at max flow (115 VAC) | Weight |
| | min | max | | | | |
| 1802 | 18 | 180 | from 30% to 100% | 19 Watt | 24 Watt | 4.1 Kg (9.02 Lbs) |
| 1504 | 18 | 180 | | | | |
| 1005 | 18 | 180 | | | | |
| 1002 | 15 | 150 | | | | |
| 10006 | 15 | 150 | | | | |
| 0808 | 18 | 180 | | | | |
| 0704 | 15 | 150 | | | | |
| 0510 | 18 | 180 | | | | |
| 0214 | 18 | 180 | | | | |
| 0705 | 15 | 150 | | | | |



IP65 enclosure (NEMA4x)
 "H" metering pumps are manufactured in molded glass filled and Polypropylene housing to ensure protection against aggressive chemicals and tough environment.

ENVIRONMENT-10°C - +45°C (14°F - 113°F)

| MORE INFORMATION ABOUT H MODELS | | | | | | |
|---------------------------------|----------|---------|---------------|------|------------------|------|
| Model | FLOW | | cc per STROKE | | Maximum pressure | |
| | min cc/h | max l/h | min | max | bar | PSI |
| 1802 | 60 | 2 | 0,50 | 1,67 | 18 | 261 |
| 1504 | 120 | 4 | 0,42 | 1,39 | 15 | 217 |
| 1005 | 150 | 5 | 0,28 | 0,93 | 10 | 145 |
| 1002 | 60 | 2 | 0,03 | 0,11 | 10 | 145 |
| 10006 | 1,8 | 0,6 | 0,03 | 0,11 | 10 | 145 |
| 0808 | 240 | 8 | 0,22 | 0,74 | 8 | 116 |
| 0704 | 120 | 4 | 0,23 | 0,77 | 7 | 1021 |
| 0510 | 300 | 10 | 0,14 | 0,46 | 5 | 58 |
| 0214 | 420 | 14 | 0,05 | 0,18 | 2 | 29 |
| 0705 | 150 | 5 | 0,16 | 0,55 | 7 | 87 |