

# APPROVED

george.flory , 08:58:43, 26/09/2022

BOMBAS /  
PUMPAR /  
泵

MASTER COPY

CONTROLLED  
COPY

**Installation and  
Operation Manual /  
Guide d'installation et  
d'utilisation / Installations-  
und Betriebsanleitung /  
Manual de instalación  
y funcionamiento /  
Installatie- en  
bedieningshandleiding /  
Manual de instalação e utilização /  
Manuale per l'installazione  
e il funzionamento /  
Installations- och bruksanvisning /  
Asennus- ja käyttöohjekirja /  
Monterings- og driftshåndbok /**



دليل التركيب والتشغيل

**安装与 操作手册**

Including / Dont / Einschließlich / Incluyendo / Inbegrepen / Incluindo / Include /  
Inklusive / Kattaa seuraavat tuotemerkit / Inkludert / يشتمل على / 包括



**BAKER HYDRO**

**LACRON CE**

**WATERCO**

water, the liquid of life

[www.waterco.com](http://www.waterco.com)

**⚠ WARNING**

**⚠ AVERTISSEMENT :**

**⚠ ACHTUNG!**

**⚠ ADVERTENCIA**

**⚠ WAARSCHUWING**

**⚠ ATENÇÃO**

**⚠ AVVERTENZA**

**⚠ VARNING**

**⚠ VAROITUS**

**⚠ ADVARSEL**

**⚠ يتحذير**

**⚠ 警告**

This equipment must be installed and serviced by a qualified technician. Improper installation can create electrical hazards which could result in property damage, serious injury or death. Improper installation will void the warranty.

L'installation et l'entretien de cet équipement doivent être confiés à un technicien qualifié. Une installation incorrecte risque de provoquer des dégâts, des blessures graves, voire même la mort. Une installation et (ou) utilisation incorrecte(s) va (vont) rendre la garantie nulle et non avenue.

Dieses Gerät muss von einem qualifizierten Techniker installiert und gewartet werden. Eine unsachgemäße Installation kann elektrische Gefahren erzeugen, die zu Sachschäden, schweren Verletzungen oder zum Tod führen können. Eine unsachgemäße Installation führt zum Erlöschen der Garantie.

El equipo lo debe instalar y mantener un técnico formado. Una instalación incorrecta puede originar riesgos de tipo eléctrico que pueden causar daños materiales, lesiones graves o la muerte. Una instalación incorrecta invalidará la garantía.

Deze apparatuur moet door een vakkundig technicus worden geïnstalleerd en onderhouden. Onjuiste installatie kan een elektrisch gevaar opleveren, die schade kan toebrengen aan eigendommen, ernstig letsel kan veroorzaken of de dood tot gevolg kan hebben. Bij een foutieve installatie vervalt de garantie.

Este equipamento tem de ser instalado e a sua manutenção efetuada por um técnico qualificado. A instalação indevida pode originar perigos elétricos e resultar em danos materiais, lesões graves ou morte. Uma instalação incorreta invalidará a garantia.

L'installazione e la manutenzione di queste attrezzature devono essere affidate a un tecnico qualificato. Un'installazione non corretta può causare pericoli elettrici, con la conseguenza di potenziali danni materiali, gravi infortuni alla persona o morte. L'esecuzione non conforme dell'installazione rende nulla la garanzia.

Endast kvalificerade tekniker får utföra installation och service på den här utrustningen. En felaktig installation kan resultera i elektriska faror som i sin tur kan leda till materialskador, personskador eller dödsfall. Felaktig installation gör garantin ogiltig.

Vain pätevä teknikko saa asentaa ja huoltaa tämän laitteen. Väärin asennettu laite voi aiheuttaa sähkövikoja, jotka voivat johtaa omaisuuden vahingoittumiseen, vakaviin vammoihin tai kuolemaan. Laitteen väärin asentaminen mitätöi takuun.

Dette utstyret må monteres og overhales av en kvalifisert tekniker. Feilmontering kan skape elektriske farer som kan føre til skade på eiendom, alvorlig personskade eller dødsfall. Feilmontering vil ugyldiggjøre garantien.

يجب أن يجري تركيب هذه المعدات وصيانتها بواسطة فني مؤهل. قد يؤدي التركيب غير الصحيح إلى حدوث مخاطر كهربية قد ينجم عنها تلف الممتلكات أو التعرض لإصابة خطيرة أو الوفاة. سيؤدي التركيب غير الصحيح إلى إبطال الضمان. • استخدم دائماً قطع غيار Waterco الأصلية عند صيانة المضخة.

本设备必须由合格的技术人员安装和维修。安装不当会有电击危险，可能导致财产损失、严重伤害或死亡。安装不当不能享受质保

**Notice to installer / Consignes destinées à l'installateur / Hinweis für den Installateur / Nota para el instalador / Aviso ao responsável pela instalação / Avviso per l'installatore / Meddelande till den som installerar utrustningen / Huomautus asentajalle / Merknad til montør / ملاحظة الفني التركيب / 安装人员注意事项**

This manual contains important information about the installation, operation and safe use of this product. Once the product has been installed **this manual must be given to the owner/ operator of this equipment.**

Ce manuel contient des informations importantes concernant l'installation, l'exploitation et l'utilisation en toute sécurité de ce produit. Une fois ce produit installé, **il faut remettre ce manuel au propriétaire / exploitant de cet équipement.**

Dieses Handbuch enthält wichtige Informationen über die Installation, den Betrieb und die sichere Verwendung dieses Produkts. Nach der Installation des Produkts muss **diese Anleitung dem Besitzer/Betreiber des Geräts übergeben werden.**

Este manual contiene información importante sobre la instalación, el funcionamiento y el uso seguro de este producto. Una vez se haya instalado el producto, **este manual debe entregarse al propietario/operador del equipo.**

In deze handleiding staat belangrijke informatie over de installatie, bediening en het veilig gebruik van dit product. Na installatie van dit product **moet deze handleiding worden overhandigd aan de eigenaar/gebruiker van deze apparatuur.**

Este manual contém informações importantes sobre a instalação, operação e utilização segura deste produto. Após a instalação do produto, **o manual deve ser fornecido ao proprietário/operador deste equipamento.**

Il presente manuale contiene importanti informazioni sull'installazione, il funzionamento e l'utilizzo sicuro del prodotto. Una volta completata l'installazione, **il presente manuale deve essere consegnato al proprietario/operatore dell'unità filtrante.**

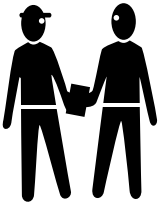
Den här bruksanvisningen innehåller viktig information om installation och säker bruk av den här produkten. **Den här bruksanvisningen måste överlämnas till utrustningens ägare/användare** när produkten har installerats.

Tässä ohjekirjassa on tärkeää tietoa tämän laitteen asennuksesta, käytöstä ja turvallisuudesta. Kun laite on asennettu, **tämä ohjekirja on annettava laitteen omistajalle/käyttäjälle.**

Denne håndboken inneholder viktig informasjon om montering, drift og trygg bruk av dette produktet. Etter at produktet er montert, **skal denne håndboken leveres til eieren/operatøren av dette utstyret.**

يشتمل هذا الدليل على معلومات مهمة عن تركيب هذا المنتج وتشغيله واستخدامه بشكل آمن. يجب تسليم هذا الدليل إلى مالك مُشغل هذه المعدة بمجرد الانتهاء من تركيب المعدة.

本手册包含关于安装、操作和安全使用本产品的重要信息。产品安装完成后，必须将本手册交给本设备的所有者/操作者。



# Table of Contents

GENERAL SAFETY RULES .....	01
LOCATION .....	02
INSTALLATION .....	02
ELECTRICAL CONNECTION .....	03
THREE PHASE MOTOR .....	03
WIRING DIAGRAM .....	04
PRIMING .....	04
MAINTENANCE .....	05
FLUID TEMPERATURE .....	05
SERVICING .....	05
WARNINGS FOR INSTALLATION AND ASSEMBLY TASKS .....	06
WARNINGS FOR ASSEMBLY AND MAINTENANCE TASKS .....	06
TROUBLESHOOTING .....	07

## GENERAL SAFETY RULES

1. The machines mentioned in the manual are specially designed for the pre-filtering and re-circulation of water in swimming pools.
2. They are designed to work with clean water at a temperature not exceeding 45 **degrees Celsius (113 degrees Fahrenheit)**.
3. The installation should be carried out in accordance to the safety instructions of swimming pools, **especially Standard HD 60364-7-702**, and the specific instructions for each facility.
4. The rules enforce on accident prevention should be carefully followed.
5. Any modification of the pump requires the **prior consent of the manufacturer**. Original replacement parts and accessories authorized by the manufacturer ensure a high level of safety. The manufacturer of the pump assumes no liability for the damage and injuries **caused by un-authorized replacement parts and accessories**.
6. During operation, some parts of the pump are subject to dangerous electric voltage. Work may only be performed on each pump or on the equipment connected to it after **disconnecting them from the mains power, and after disconnecting the starting device**.
7. The user should make sure that assembly and maintenance tasks are carried out by **qualified authorized persons** and that these persons have first carefully read the instructions for service and installation.
8. The operating safety of the pump is only guaranteed if the installation and service instructions are correctly followed.
9. The limit values stated in the. Technical table **should not be exceeded under any condition**.
10. In the event of defective operation or fault, contact the technical support department of the manufacturer or its nearest authorized agents.
11. If the supply cord is damaged, it must be replaced by an authorized service agent.
12. The appliance is not intended for use by persons (including children) with reduced physical, sensory or mental capabilities, or lack of experience and knowledge, unless they have been given supervision or instruction concerning use of the appliance by a person responsible for their safety, and if they understand the hazards involved.
13. The appliance is not intended for use by young children. Young children should be supervised to ensure that they do not play with the appliance.
14. All wiring (electrical work) must be carried out by licensed electricians and must be installed in accordance to the local codes.
15. If the pump is to be installed on a swimming pool or pond situation it is mandatory that an earth leakage circuit breaker with a rated tripping current not exceeding 30mA be installed.
16. Always disconnect the appliance from the supply before assembling, disassembling or cleaning.
17. In freezing conditions, water must be drained out completely from the pump housing by opening the drain plugs on the pump housing.

### **For Use in Europe:**

1. This appliance is not intended for use by persons (including children aged from 8 and above) with reduced physical, sensory or mental capabilities, or lack of experience and knowledge, unless they have been given supervision or instruction concerning use of the appliance by a person responsible for their safety.
2. Children should be supervised to ensure that they do not play with the appliance.
3. Cleaning and user maintenance shall not be made by children without supervision.

## **~ IMPORTANT ELECTRICAL NOTICE ~**

***The electrical installation is to be done by a licensed electrician.***

*Each pump requires a circuit breaker to separate the pump from the electrical supply. The contact separation has to provide full disconnection in all poles under overvoltage category III conditions.*

*If the pump is to be installed on a swimming pool or pond situation it is **MANDATORY** that an earth leakage circuit breaker with a rated tripping current not exceeding **30mA** be installed.*

*Check the pumps name plate for the following: Voltage, Amp draw and Cycle.*

*The power cord, including the ground wire shall have a quality of **60245 IEC 66 (H07RN-F)** for models **greater** than **1kW** power input.*

*For models less than **1kW** input the quality shall be of **60245 IEC 57 (H05RN-F)**. All installations must comply with local codes, based on **IEC 60364-7-702** requirements.*

## **LOCATION**

The pump must be located as close as practical to the pool. The pump must also be in a position that enables easy access for periodic servicing.

Care must also be taken to position the pump in an area that is free from flooding in a well ventilated and dry area (The pump motor cooling fan must have a minimum clearance of 150mm).

## **INSTALLATION**

Waterco Limited use the latest technology when designing and manufacturing our pumps, a few simple precautions during installation will ensure years of trouble free operation.

1. The pump suction line should be not smaller than 40mm (1 1/2").
2. The suction line is to have as few bends or elbows as possible. There must not be an air trap on the suction line.
3. Use only the pump barrel unions supplied with the pump.
4. Bolt the pump to the required position (prevent movement).
5. The pump electrical cable must be wired for the proper voltage and rotation in accordance with the wiring instructions.
6. All wiring (electrical) work must be carried out by licensed electricians and must be installed in accordance to the local codes.
7. The motor must be grounded.
8. The weight of the plumbing and fittings is to be independently supported and not carried by the pump.
9. The pump motor cooling fan must have a minimum clearance of 150mm.

## ELECTRICAL CONNECTION

Check that the information on the nameplate corresponds to the power supply.

Employ a competent electrician to ensure wiring installation is made in accordance with any local / national rules in the Country where the pump is installed. The national wiring rules in Australia & New Zealand is AS/NZS 3000.

**THREE PHASE MOTOR** does not come with internal thermal protector and requires either **a fused disconnect switch or a circuit breaker**.

Install and set the safety devices according to the current stated in the nameplate

A **SINGLE PHASE MOTOR** has built in thermal overload switch

## THREE PHASE MOTOR

**THREE PHASE MOTORS** requires a starter switch or magnetic starter with correctly sized overload protection in addition to the fused disconnect switch.

### CHECK THE ROTATION OF THREE PHASE MOTORS.

The motor is only suitable for clockwise operation when viewed from the motor end fan (cowl) cover.

**Three phase motors could rotate in either direction.** Changing any 2 wires of the cable on a three phase motor will reverse the direction of rotation. To check the rotation of the motor, turn on for approximately 1 second. If it is running in the wrong direction turn off power and interchanging any 2 wires and repeat the above step to check.

When installing three phase pumps a separate device must be available for permanent installation, this is so the pump can be isolated from the mains power. **A contact distance of 3mm per pole is required for both three phase and single phase units.**

Motor protection **MUST** be installed corresponding to the nominal current of the motor. **SEE VALUE ON RATING PLATE.**

It is the **RESPONSIBILITY** of the user to ensure adequate protection between the motor and the power supply.

The installer must protect all three phases on the supply of the motor so that the pump cannot run on 1 or 2 phases only.

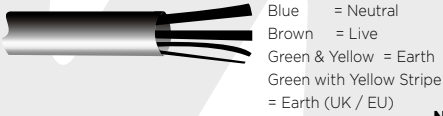
### **⚠ WARNING**

*Before disconnecting electrical connections, shut off the electricity at its source:*

**EXAMPLE :** The fuse or circuit breaker box. Before work is carried out on the pump ensure the pump switch or timers are turned off and **MAKE CERTAIN THE MAINS POWER IS SWITCHED OFF.**

## WIRING DIAGRAM

### • SINGLE PHASE

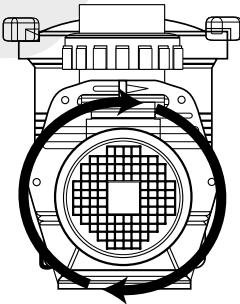


### • THREE PHASE

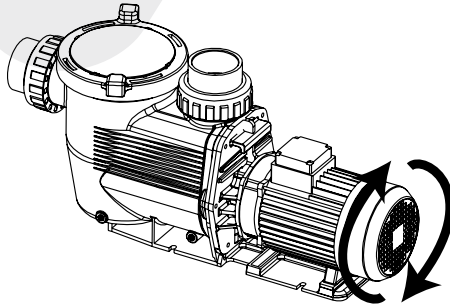


**Note:** Electrical wiring configuration may vary in different countries and installers should ensure compliance to these regulations and standards.

### • ROTATION OF 3 PHASE PUMP



CLOCKWISE ROTATION



## PRIMING

**The Waterco Limited pump will prime and re prime providing the hair and lint pot bowl is full of water and there is sufficient supply from the suction point.**

If you lose water from the hair and lint pot bowl it will be necessary to re fill it before starting.

1. Remove the clear lid and fill the hair and lint pot bowl with water.
2. Replace the lid ensuring **the o-ring is correctly** located and start the pump.

After you have done this allow a **few minutes (maximum)** for the pump to start delivering water.

### **⚠ WARNING**

*High suction lift or long suction lines will require additional time to prime and can severely affect the performance of the pump. If the pump will not prime, (flow) repeat step 1 and 2 above.*

### **⚠ WARNING**

*Mechanical seals if allowed to run dry can be damaged rapidly and may need to be replaced.*

**ENSURE** that there is always adequate water in the hair and lint pot bowl before you commence start up.

*If you are unable to prime the pump please see the trouble-shooting guide.*

*Ensure all **suction and discharge** valves are open before you start the pump, operating the pump with these valves shut can damage the pump.*



## MAINTENANCE

The strainer basket in the hair and lint pot bowl should be inspected and cleaned at regular intervals.

1. Remove lid and lift out basket.
2. Remove debris and hose off with clean water if necessary.
3. Inspect the lid gasket, lubricate with **SILICON** based grease only if needed.  
If it is damaged replace.
4. Replace the strainer.
5. Re-prime the hair and lint pot bowl.
6. Correctly locate the o-ring.
7. Replace the lid (**hand tighten**) only.
8. Switch on pump.

In Climates where the pump may be **exposed to frost or freezing**, care must be taken to ensure the pump is protected from damage.

It is recommended that if the pump is not used during this winter period it should be **drained completely**.

Waterco Limited supply drain plugs for this purpose.

Do not replace the drain plug. Store it in a safe place until you require the use of the pump.

**An example would be within the hair and lint pot bowl basket.**

If at all possible remove the pump away and store it in a dry location during this period.

When you re activate the pump ensure all seals and o-rings are in operational condition, re-grease if necessary (**replace**) if unsure of condition.

- *Check that the motor shaft moves freely before re-activation.*

## FLUID TEMPERATURE

The permissible temperature is **> than 0°C and < than 45°C**. The pump should never be operated outside of these temperatures or damage may occur.

## SERVICING

If the need arises or you are unable to service your Waterco Limited pump always contact your **authorised Waterco Limited Service agent** for advise or infield service.

- *Always use genuine Waterco Limited replacement parts when carrying out pump maintenance.*

## WARNINGS FOR INSTALLATION AND ASSEMBLY TASKS

1. When connecting electric cables to the motor of the pump, be careful to correctly arrange them inside the connection box, verify that no bits of cable are left inside the box on closing it. **See that the earth wire is correctly connected.** When connecting the motor, follow the wiring diagram supplied with the pump.
2. Be especially careful **that no water enters the motor or electrical parts under voltage.**
3. In the event that the planned use is not as specified, adaptations and supplementary technical rules may be necessary.

### • WARNINGS FOR START UP

*Before starting the pump, verify the calibration of the electrical protection devices of the motor and that the protections against electrical and mechanical contacts are correctly positioned and attached.*

## WARNINGS FOR ASSEMBLY AND MAINTENANCE TASKS

1. **Be especially careful that no water enters the motor or the electrical parts under voltage.**
2. Avoid all contact, even accidental, with the moving parts of the pump.
3. Wait until the pump has stopped completely before handling it in any way.
4. **Before carrying out electrical or mechanical maintenance tasks, make sure that the machine has been disconnected from the mains and that starting devices have been locked.**
5. It is advisable to follow the steps listed below before handling the pump in any way.
  - a) Turn off the voltage to the pump.
  - b) Lock starting devices.
  - c) Verify that there is no voltage in the circuits, including ancillary devices and auxiliary circuits.
  - d) Wait until motor stops completely.

**The above list should be considered indicative and not binding for the purpose of safety; specific safety rules may exist in particular regulations.**

### Regularly verify:

1. The correct attachments of the mechanical parts and of the support screws of the pump.
2. The correct position, attachment and condition of the supply cables and of the insulating parts.
3. The temperature of the motor. In the event of any irregularity stop the machine immediately and have it repaired.
4. The vibration of the pump. In the case of any irregularity, stop the machine immediately and have it repaired.

Owing to the complexity of the cases covered, the instructions for installation, use and maintenance contained in this manual do not attempt to examine all possible and imaginable cases of service and maintenance. If supplementary instructions are required or if special problems arise, do not hesitate to contact the distributor or to address directly the manufacturer of the pump.

## TROUBLE SHOOTING

SYMPTOMS	PROBABLE CAUSE	ACTION
1. PUMP WILL NOT PRIME	Suction air leak  No water in the pump Closed valves or blocked lines	Make sure water level is correct through suction points. Ensure baskets and strainers are free of debris. Tighten all fittings / unions on the suction side of the pump, remove and replace mechanical seal.  Make sure hair and lint pot is full.  Open all valves in system, clean skimmer and pump basket, check pump impeller of blockage.
2. MOTOR WILL NOT RUN	No power to motor  Pump jammed	Check that all electrical switches are on. Ensure the circuit breakers are properly set. Check if timer is set properly. Check motor wiring at terminals.  With power switched off turn pump shaft (should spin freely). If not contact electrician or nearest Waterco Limited branch for service.
3. LOW FLOW	Dirty filter Dirty Skimmer and Pump strainer Suction air leak Closed valve or blocked line	Backwash or clean cartridge. Clean skimmer and pump strainer. See 1. See 1.
4. MOTOR RUNS HOT	Low or incorrect voltage  Installed in direct sunlight Poor ventilation	Supply to be corrected by Electrician. Motors run hot to touch and is normal. Thermal overload protector will function to turn them off if there is an overload or high temperature problem. The pump motor cooling fan must have a minimum clearance of 150mm.  Shield from the weather.  Do not tightly cover or enclose motor.
5. NOISY PUMP OPERATION	Bad bearing Air leak in suction Suction blockage Foreign matter in impeller  Cavitations	Have electrician replace. See 1. Locate and clear blockage. Dismantle pump and remove foreign matter and debris from around impeller.  Improve suction, reduce suction lift, reduce number of fittings, increase pipe size, increase discharge pressure and reduce flow by throttling discharge valve.
6. MOTOR OVER LOAD CUTS OUT	Motor not connected properly Low incoming voltage  Over load due to binding in pump or wrong size impeller	Have electrician check wiring. Have electrician check voltage, ensure pump is not running on an extension cord. Report low supply to authorities.  Contact Waterco Limited for service.

**Warning:** If the Waterco Limited pump is within the stated warranty period and you experience faults always contact your supplier or the nearest Waterco Limited branch for advice. Failure to do this may void warranty. Refer to warranty documentation supplied with pump.

All electrical work is to be carried out by a Qualified Electrician; under no circumstances should you attempt repairs on the electrical components of Waterco Limited pumps unless you are suitably qualified.

# Table des matières

RÈGLES GÉNÉRALES SUR LA SÉCURITÉ .....	09
LIEU D'INSTALLATION .....	10
INSTALLATION .....	10
RACCORDEMENT ÉLECTRIQUE .....	11
MOTEUR TRIPHASÉ .....	11
SCHÉMA DE CABLAGE .....	12
AMORÇAGE .....	12
ENTRETIEN .....	13
TEMPÉRATURE DU FLUIDE .....	13
ENTRETIEN .....	13
AVERTISSEMENTS POUR L'INSTALLATION ET LE MONTAGE .....	14
AVERTISSEMENTS POUR LE MONTAGE ET L'ENTRETIEN .....	14
DÉPISTAGE DES DÉFAUTS .....	15

## RÈGLES GÉNÉRALES SUR LA SÉCURITÉ

1. Les machines mentionnées dans le manuel ont été conçues tout spécialement pour le pré-filtrage et le recyclage de l'eau dans les piscines.
2. Elles sont étudiées pour fonctionner avec de l'eau propre, à une température qui ne doit pas dépasser **45°C (113°F)**.
3. L'installation doit être effectuée conformément aux instructions de sécurité pour les piscines, en particulier la **norme HD 60364-7-702**, ainsi qu'aux instructions spécifiques propres à chaque application.
4. Les règles en vigueur pour la prévention des accidents doivent être observées de façon rigoureuse.
5. Avant d'apporter une modification à la pompe, il est nécessaire d'obtenir, au préalable, **le consentement du constructeur**. L'emploi de pièces de rechange et d'accessoires originaux, autorisés par le constructeur, assure un niveau de sécurité élevé. Le constructeur de la pompe décline toute responsabilité pour les dégâts et accidents **dûs au remplacement par des pièces et accessoires non autorisés**.
6. Au cours de l'utilisation, certaines pièces de la pompe sont soumises à des tensions électriques dangereuses. Avant toute intervention sur la pompe ou les équipements raccordés à celle-ci, il est **nécessaire de couper l'alimentation secteur et de débrancher le moteur de la pompe**.
7. L'utilisateur doit confier le montage et l'entretien de la pompe à des **personnes autorisées et qualifiées**, qui doivent lire attentivement les instructions relatives à l'entretien et à l'installation.
8. La sécurité de la pompe au cours de l'exploitation n'est garantie que si les instructions pour l'installation et l'entretien sont suivies correctement.
9. On ne doit **en aucun cas dépasser les valeurs limites** précisées dans la fiche technique.
10. En cas de défaillance ou de défaut, l'utilisateur doit contacter le service d'assistance technique du constructeur ou son agent accrédité le plus proche.
11. Si le câble est abîmé, il doit être remplacé par un technicien de maintenance autorisé.
12. L'appareil n'est pas conçu pour être utilisé par des personnes (y compris les enfants) qui présentent des capacités physiques, sensorielles ou mentales réduites, qui manquent d'expérience et de connaissances, excepté si elles sont supervisées ou conseillées sur l'utilisation de l'appareil par une personne responsable de leur sécurité et qu'elles ont conscience des risques encourus.
13. L'appareil n'est pas conçu pour être utilisé par de jeunes enfants. Les jeunes enfants doivent être surveillés afin de s'assurer qu'ils ne jouent pas avec l'appareil.
14. Tous les travaux de câblage (électriques) doivent être réalisés par des électriciens agréés et l'installation doit être conforme aux codes locaux.
15. Si la pompe doit être installée dans une piscine ou un bassin, il est obligatoire d'installer un disjoncteur différentiel avec courant de déclenchement nominal maximum de 30 mA.
16. Débranchez toujours l'appareil de l'alimentation avant de le monter, de le démonter ou de le nettoyer.
17. En cas de gel, l'eau doit être entièrement vidée du boîtier de la pompe en ouvrant les bouchons de purge sur le boîtier de la pompe.

### **À utiliser en Europe :**

1. Cet appareil n'est pas conçu pour être utilisé par des personnes (y compris les enfants de 8 ans et plus) qui présentent des capacités physiques, sensorielles ou mentales réduites, qui manquent d'expérience et de connaissances, excepté si elles sont supervisées ou conseillées sur l'utilisation de l'appareil par une personne responsable de leur sécurité.
2. Les enfants doivent être surveillés afin de s'assurer qu'ils ne jouent pas avec l'appareil.
3. Le nettoyage et la maintenance de l'appareil ne doivent pas être réalisés par des enfants, même supervisés.

## ~ REMARQUE ÉLECTRIQUE IMPORTANTE ~

**L'installation électrique doit être effectuée par un électricien qualifié.**

Chaque pompe nécessite un coupe-circuit pour séparer la pompe de l'alimentation électrique. La distance de contact assure une coupure complète dans les conditions de catégorie de surtension III.

Lorsque la pompe est utilisée pour une piscine ou un bassin, on doit installer **OBLIGATOIREMENT** un coupe-circuit avec mise à la masse, dont le courant de détente nominal ne dépassera pas **30 mA**. Vérifier la tension, la puissance absorbée et le cycle sur la plaque constructeur de la pompe.

Le câble d'alimentation, y compris le fil de terre, doit être conforme à la norme 60245 IEC 66 (H07RN-F) pour les modèles avec puissance consommée supérieure à **1 kW**.

Pour les modèles avec puissance consommée inférieure à **1 kW**, la qualité du câble doit être conforme à la norme **60245 IEC 57 (H05RN-F)**.

Toutes les installations doivent être conformes aux codes locaux, basés sur les spécifications de la norme **IEC 60364-7-702**.

• **RESPECTEZ LE CALIBRE MINIMUM FOURNI DANS LE TABLEAU DE LA NOTICE TECHNIQUE.**

## LIEU D'INSTALLATION

La pompe doit être placée le plus près possible de la piscine, dans un emplacement qui facilitera les interventions d'entretien périodiques.

En outre, on doit placer la pompe dans **un lieu sec et bien ventilé, qui ne risque pas d'être inondé** (Un dégagement minimum de 150 mm doit être respecté au niveau du ventilateur de refroidissement du moteur de la pompe).

## INSTALLATION

Waterco Limited fait usage de technologies de pointe dans la conception et la fabrication de ses pompes. Quelques simples précautions, prises au cours de l'installation, garantiront un fonctionnement sans problèmes pendant des années.

1. Le tuyau d'aspiration de la pompe ne doit pas être inférieur à 40 mm.
2. La conduite d'aspiration doit comporter le moins de coudes possible.
3. On doit utiliser exclusivement les **raccords de corps de pompe** fournis avec la pompe.
4. Fixer la pompe avec des boulons à l'endroit désiré (pour l'immobiliser).
5. **Le câble électrique doit être raccordé pour la tension et le sens de rotation spécifiés, conformément aux instructions de câblage.**
6. Tous les travaux de câblage électriques doivent être confiés à des **électriciens qualifiés**, et les câbles doivent être installés conformément aux normes locales.
7. Le moteur doit être mis à la masse.
8. Les tuyaux et raccords doivent être soutenus par leurs propres supports, et non pas par la pompe.
9. Un dégagement minimum de 150 mm doit être respecté au niveau du ventilateur de refroidissement du moteur de la pompe.

## RACCORDEMENT ÉLECTRIQUE

Vérifiez que les informations indiquées sur la plaque signalétique correspondent à l'alimentation électrique.

Faites appel à un électricien compétent pour installer le câblage conformément aux règlements locaux/nationaux du pays où est utilisée la pompe. Les règlements nationaux applicables en Australie et en Nouvelle-Zélande sont les normes AS/NZS 3000.

Le **MOTEUR TRIPHASÉ** n'est pas muni d'un protecteur thermique interne et requiert **un sectionneur ou un disjoncteur à fusibles**.

Installez et réglez les dispositifs de sécurité conformément au courant indiqué sur la plaque signalétique

**UN MOTEUR MONOPHASÉ** est équipé d'un interrupteur de surcharge thermique intégré.

## MOTEUR TRIPHASÉ

Les **MOTEURS TRIPHASÉS** doivent être munis d'un interrupteur de démarrage ou d'un démarreur magnétique, avec protection adéquate contre les surtensions, en plus du sectionneur à fusible.

### VÉRIFIEZ LE SENS DE ROTATION DES MOTEURS TRIPHASÉS.

Le moteur est étudié pour le fonctionnement en rotation dans le sens horaire exclusivement (vu du couvercle de ventilateur côté moteur).

**Les moteurs triphasés peuvent tourner dans un sens ou dans l'autre.** En permutant un des câbles d'un moteur triphasé, on inverse son sens de rotation. Pour vérifier son sens de rotation, mettre le moteur sous tension pendant 1 seconde environ. S'il tourne dans le mauvais sens, couper l'alimentation, permuter les fils puis vérifier en répétant l'opération ci-dessus.

Lors de l'installation de pompes triphasées, on doit disposer d'un dispositif séparé pour l'installation permanente, afin de permettre l'isolement de la pompe de l'alimentation secteur. **Un écart de contact de 3 mm par pôle est nécessaire pour les moteurs triphasés et les moteurs monophasés.**

La protection du moteur DOIT être installée conformément au courant nominal du moteur **DONT LA VALEUR EST INDIQUÉE SUR LA PLAQUE CONSTRUCTEUR.**

**Il incombe à l'utilisateur** d'assurer la protection adéquate entre le moteur et l'alimentation électrique.

L'installateur doit protéger les trois phases de l'alimentation du moteur de sorte que la pompe ne puisse pas fonctionner qu'en 1 ou 2 phases.

### **AVERTISSEMENT :**

Avant de débrancher des raccordements électriques, on doit couper l'alimentation électrique à la source.

**EXEMPLE :** *Boîtier de fusibles ou de coupe-circuit. Avant toute intervention sur la pompe, on doit vérifier que l'interrupteur ou les minuteries de la pompe ont été mis hors circuit et **S'ASSURER QUE L'ALIMENTATION SECTEUR A ÉTÉ COUPÉE.***

## SCHÉMA DE CABLAGE

### • MOTEURS MONOPHASÉS (single phase)

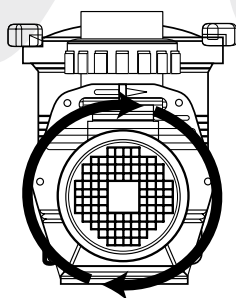


### • MOTEURS TRIPHASÉS (Three phase)

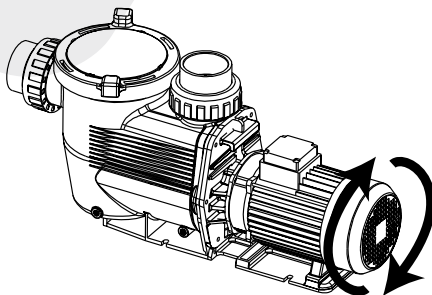


**Remarque :** la configuration du câblage électrique peut varier selon le pays ; les installateurs doivent veiller au respect des normes et réglementations concernées.

### • ROTATION D'UNE POMPE TRIPHASÉE



ROTATION EN SENS HORAIRE



## AMORÇAGE

**La pompe Waterco Limited s'amorce et se réamorce à condition que le préfiltre soit plein d'eau, et que le débit au point d'aspiration soit suffisant.**

Si vous perdez de l'eau au récipient de cheveux / peluches, vous devez le remplir avant de commencer.

1. Enlevez le couvercle transparent et remplissez le récipient de cheveux / peluches avec de l'eau.
2. Remontez le couvercle en vérifiant que le **joint torique** est remonté correctement, puis lancez la pompe.

Après avoir effectué ces opérations, attendez **(au maximum) quelques minutes** que la pompe commence à refouler de l'eau.

### **⚠ AVERTISSEMENT :**

*Avec des hauteurs d'aspiration élevées ou des conduites d'aspiration longues, la pompe met plus longtemps à s'amorcer : ceci risque de limiter fortement son rendement.*

*Si la pompe ne s'amorce pas (écoulement), répéter les opérations 1 et 2 ci-dessus.*

### **⚠ AVERTISSEMENT :**

*En cas de marche à vide, les joints mécaniques risquent de s'user rapidement, et il pourra être alors nécessaire de les remplacer. **VÉRIFIEZ QUE** vous disposez toujours d'un volume d'eau suffisant dans le préfiltre avant d'effectuer la mise en marche.*

*Si vous ne parvenez pas à amorcer la pompe, veuillez consulter le guide de dépiage des défauts.*

*Avant de mettre la pompe en marche, vérifiez que toutes les **soupapes d'aspiration et de refoulement** sont ouvertes. En utilisant la pompe lorsque ces soupapes sont fermées, vous risquez de l'endommager.*



## ENTRETIEN

Il est nécessaire d'inspecter et de nettoyer le panier filtrant du préfiltre à des échéances régulières.

1. Enlever le couvercle et extraire le panier filtrant.
2. Enlever les débris et rincer à grande eau (propre), si nécessaire.
3. Inspecter le joint de couvercle, lubrifier avec de la graisse de **SILICONE**, si nécessaire. Si le joint est endommagé, remplacer.
4. Remonter le panier filtrant.
5. Réamorcer le préfiltre.
6. Positionner de façon précise le joint torique.
7. Remonter le couvercle (en serrant à la main seulement).
8. Mettre la pompe en marche.

Dans des climats où la pompe risque d'être **exposée au gel**, on doit la protéger de façon appropriée.

Si vous n'utilisez pas votre pompe pendant les mois d'hiver, nous vous **conseillons** de la **vider entièrement**.

Pour ceci, Waterco Limited fournit des bouchons de purge.

Ne remontez pas le bouchon de purge. Rangez-le en lieu sûr jusqu'à ce que vous utilisiez de nouveau la pompe; par exemple **dans le panier filtrant**.

Dans la mesure du possible, enlevez la pompe et rangez-la dans un lieu sec au cours de cette période.

Lorsque vous actionnez la pompe, vérifiez que les garnitures et les joints toriques sont tous en état de marche; si vous avez le moindre doute sur leur état, re-graissez-les (**remplacez-les**) si nécessaire.

- *Avant toute réactivation, vérifiez que l'arbre du moteur se déplace librement.*

## TEMPÉRATURE DU FLUIDE

La plage de températures admissibles est comprise **entre 0°C et 45°C**. On ne doit en aucun cas utiliser la pompe hors de cette plage de températures, faute de quoi on risque de l'endommager.

## ENTRETIEN

En cas de nécessité, ou si vous n'êtes pas en mesure d'entretenir votre pompe Waterco Limited, vous devez toujours contacter votre **agent accrédité de Waterco Limited** pour l'entretien.

- *Lorsque vous effectuez l'entretien de votre pompe, vous **devez toujours utiliser des pièces de rechange originales Waterco Limited.***

## AVERTISSEMENTS POUR L'INSTALLATION ET LE MONTAGE

1. Lors du raccordement de câbles électriques au moteur de la pompe, l'utilisateur doit les installer correctement à l'intérieur du boîtier de raccordement, en veillant de ne pas laisser de morceaux de câble à l'intérieur du boîtier lorsqu'il le referme. **Le fil de terre doit être raccordé correctement.** Pour le raccordement du moteur, suivre le schéma de câblage fourni avec la pompe.
2. On doit faire particulièrement attention que **l'eau ne puisse pas pénétrer dans le moteur ou les composants électriques sous tension.**
3. Si l'application prévue n'est pas conforme, des adaptations et des spécifications additionnelles pourront être nécessaires.

### • AVERTISSEMENTS POUR LA MISE EN MARCHÉ

*Avant la mise en marche de la pompe, on doit vérifier d'une part le calibrage des dispositifs de protection électrique du moteur, d'autre part que les protections contre les contacts électriques ou mécaniques ont été placées et fixées correctement.*

## AVERTISSEMENTS POUR LE MONTAGE ET L'ENTRETIEN

1. On doit faire particulièrement attention que l'eau ne puisse pas pénétrer dans le moteur ou les composants électriques sous tension.
2. Eviter tout contact, même fortuit, avec les pièces mobiles de la pompe.
3. Avant toute intervention sur la pompe, attendre que celle-ci se soit arrêtée.
4. Avant l'exécution d'interventions d'entretien électrique ou mécanique, vérifier que l'alimentation secteur de la machine a été coupée et que les dispositifs de démarrage sont bloqués.
5. Avant toute intervention sur la pompe, il est conseillé d'effectuer les opérations suivantes :
  - a) Couper l'alimentation électrique de la pompe.
  - b) Bloquer les dispositifs de démarrage.
  - c) Vérifier que tous les circuits sont hors tension, y compris les dispositifs et circuits connexes.
  - d) Attendre l'arrêt total du moteur.

**La liste ci-dessus est fournie à titre indicatif, et n'est pas obligatoire aux fins de la sécurité ; certains règlements peuvent contenir des règles particulières sur la sécurité.**

### On doit vérifier régulièrement :

1. Que les pièces mécaniques et les vis de support de la pompe sont fixées correctement.
2. Le positionnement, la fixation et l'état des câbles d'alimentation et des pièces isolantes.
3. La température du moteur : si l'on relève la moindre irrégularité, arrêter et réparer immédiatement la machine.
4. Les vibrations de la pompe : si l'on relève la moindre irrégularité, arrêter et réparer immédiatement la machine.

Compte tenu de la complexité des applications prévues, les instructions pour l'installation, l'utilisation et l'entretien, contenues dans le présent manuel, ne sont pas censées couvrir toutes les éventualités possibles et imaginables pour l'assistance et l'entretien. Si vous désirez des instructions supplémentaires ou lorsque des problèmes particuliers surviennent, n'hésitez pas à faire appel à votre distributeur ou à contacter directement le constructeur de la pompe.

## DÉPISTAGE DES DÉFAUTS

SYMPTOMES	CAUSE PROBABLE	MESURES A PRENDRE
1. LA POMPE NE S'AMORCE PAS	Fuite de l'air aspiré  Absence d'eau dans la pompe Vannes fermées ou conduites obturées	Vérifier que le niveau d'eau est correct aux points d'aspiration, et que les crépines et filtres sont propres et exempts de débris. Serrer tous les raccords à l'aspiration de la pompe. Enlever et remplacer le joint mécanique.  Vérifier que le préfiltre est plein.  Ouvrir toutes les vannes du circuit, nettoyer le collecteur et le panier du préfiltre, vérifier que le rotor de la pompe tourne librement.
2. LE MOTEUR NE FONCTIONNE PAS	Moteur non alimenté  La pompe tombe en panne	Vérifier que tous les commutateurs sont ouverts, et que les disjoncteurs sont armés. Vérifier que la minuterie est réglée correctement et examiner le câblage du moteur aux bornes.  Coupez l'alimentation et faites tourner l'arbre de la pompe (il doit tourner librement) : sinon, appelez un électricien ou l'agent Waterco Limited le plus proche.
3. BAS DÉBIT	Filtre sale Collecteur et crépine de pompe sales Fuite de l'air aspiré Vannes fermées ou conduites obturées	Laver ou nettoyer la cartouche.  Nettoyer le collecteur et la crépine de pompe.  Voir "1".  Voir "1".
4. LE MOTEUR CHAUFFE	Tension basse ou erronée  Installé à la lumière du soleil Mauvaise ventilation	Appelez un électricien pour rectifier la tension. Il est normal que les moteurs soient chauds au toucher. En cas de surcharge ou de problème de haute température, un dispositif de protection contre les surcharges thermiques se déclenche. Un dégagement minimum de 150 mm doit être respecté au niveau du ventilateur de refroidissement du moteur de la pompe.  Abriter la pompe.  Ne pas couvrir ou fermer excessivement le moteur.
5. POMPE BRUYANTE	Roulement usé Fuite de l'air aspiré Aspiration obturée Corps étrangers dans le rotor  Cavitation	Faire remplacer par un électricien.  Voir "1".  Dépister et éliminer l'obturation.  Débrancher la pompe et enlever les corps étrangers et les débris autour du rotor.  Augmenter l'aspiration, réduire la hauteur d'aspiration et le nombre de raccords. Augmenter le diamètre des tuyaux et la pression de refoulement, et réduire le débit en réduisant le débit de la vanne de refoulement.
6. DÉCLENCHEMENT DE LA SURCHARGE DU MOTEUR	Raccordement erroné du moteur Basse tension d'entrée  Surcharge due à un grippage dans la pompe ou un rotor aux dimensions erronées	Demander à un électricien de vérifier le câblage.  Demander à un électricien de vérifier la tension, vérifier que la pompe n'est pas alimentée par un câble à rallonge. Signalez les basses tensions d'alimentation à la société d'électricité.  Appelez le service d'assistance de Waterco Limited.

**Avvertissement:** si des défauts se déclarent au cours de la période de garantie de la pompe Waterco Limited, contactez notre fournisseur ou la filiale Waterco Limited la plus proche, faute de quoi vous risquez d'annuler la garantie. Voir le certificat de garantie fourni avec la pompe.

Toutes les interventions électriques doivent être effectuées par un électricien qualifié: vous ne devez en aucun cas effectuer vous-même des réparations sur les composants électriques des pompes Waterco Limited, à moins que vous ne soyez qualifié pour ce faire.

# Inhaltsverzeichnis

ALLGEMEINE SICHERHEITSBESTIMMUNGEN .....	17
ORT .....	18
INSTALLATION .....	18
ELEKTRISCHE ANSCHLÜSSE .....	19
DREHSTROMMOTOR .....	19
ANSCHLUSSBILD .....	20
ANSAUGEN .....	21
WARTUNG .....	22
FLÜSSIGKEITSTEMPERATUR .....	22
WARTUNG .....	22
WARNUNGEN IN BEZUG AUF INSTALLATIONS - UND MONTAGEARBEITEN .....	23
WARNUNGEN IN BEZUG AUF MONTAGE .....	24
- UND WARTUNGSARBEITEN .....	
FEHLERSUCHE .....	25

# ALLGEMEINE SICHERHEITSBESTIMMUNGEN

1. Die in dieser Anleitung erwähnten Maschinen sind speziell für das Vorfiltrern und den Umlauf von Wasser in Swimmingpools konstruiert.
2. Sie sind zum Betrieb mit sauberem Wasser bei Temperaturen von maximal **45 Grad Celsius (113 Grad Fahrenheit)** ausgelegt.
3. Die Installation ist in Übereinstimmung mit den Sicherheitsanweisungen für Swimmingpools, **insbesondere der Norm HD 60364-7-702** und den spezifischen Anweisungen für jede Einrichtung, auszuführen.
4. Den für Unfallschutz geltenden Bestimmungen ist sorgfältig Folge zu leisten.
5. Jede Modifikation der Pumpe bedarf der **vorherigen Zustimmung des Herstellers**. Vom Hersteller autorisierte Originale Ersatz- und Zubehörteile gewährleisten ein hohes Niveau an Sicherheit. Der Pumpenhersteller übernimmt keine Haftbarkeit für durch **Verwendung nicht autorisierter Ersatz- und Zubehörteile** verursachte Schäden und Verletzungen.
6. Während des Betriebs unterliegen einige Teile der Pumpe gefährlicher elektrischer Spannung. Arbeiten an jeder Pumpe oder an der daran angeschlossenen Ausrüstung dürfen erst **nach deren Abklemmen vom Netzstrom und nach Abklemmen der Startvorrichtung vorgenommen werden**.
7. Der Benutzer sollte sicherstellen, dass die Montage- und Wartungsarbeiten von **qualifizierten zugelassenen Personen** ausgeführt werden. Dabei ist zu gewährleisten, dass diese Personen zuerst die Anweisungen für Service und Installation sorgfältig durchgelesen haben.
8. Die Betriebssicherheit der Pumpe ist nur garantiert, wenn die Installations- und Serviceanweisungen korrekt befolgt werden.
9. Die in der technischen Tabelle angegebenen Grenzwerte **sind keinesfalls zu überschreiten**.
10. Im Falle defekter Funktion oder eines Mangels, kontaktieren Sie bitte die technische Betriebsabteilung des Herstellers oder seine nächstgelegene Vertretung.
11. Wenn das Zuleitungskabel beschädigt ist, muss es bei einem zugelassenen Fachman ersetzt werden.
12. Das Gerät ist nicht für den Gebrauch durch Personen (einschließlich Kinder) mit eingeschränkter körperlicher, sensorischer oder geistiger Leistungsfähigkeit oder mangelnder Erfahrung und Kenntnis bestimmt, es sei denn, sie werden von einer Person, die für ihre Sicherheit verantwortlich ist, beaufsichtigt oder in die Benutzung des Geräts eingewiesen und sie verstehen die damit zusammenhängenden Gefahren.
13. Das Gerät ist nicht für die Verwendung durch kleine Kinder vorgesehen. Kleine Kinder müssen beaufsichtigt werden, um sicher zu stellen, dass sie mit dem Gerät nicht spielen.
14. Alle Verdrahtungsarbeiten (elektrische Arbeiten) müssen von einer zugelassenen Elektrofachkraft in Übereinstimmung mit den örtlichen Vorschriften ausgeführt werden.
15. Wenn die Pumpe für ein Schwimmbecken oder einen Teich installiert werden soll, ist es zwingend erforderlich, dass ein Fehlerstromschutzschalter mit einem Bemessungsauslösestrom von nicht mehr als 30 mA installiert wird.
16. Trennen Sie das Gerät vor der Montage, Demontage oder der Reinigung immer von den Energiequellen.
17. Bei Frost muss das Wasser durch Öffnen der Ablassstopfen am Pumpengehäuse vollständig aus der Pumpe abgelassen werden.

## **Zum Einsatz in Europa:**

1. Dieses Gerät ist nicht für den Gebrauch durch Personen (einschließlich Kinder von 8 Jahren und älter) mit eingeschränkter körperlicher, sensorischer oder geistiger Leistungsfähigkeit oder mangelnder Erfahrung und Kenntnis bestimmt, es sei denn, sie werden von einer Person, die für ihre Sicherheit verantwortlich ist, beaufsichtigt oder in die Benutzung des Geräts eingewiesen.
2. Kinder sollten beaufsichtigt werden, um sicherzustellen, dass sie nicht mit dem Gerät spielen.
3. Reinigung und Wartung durch den Anwender sollten nicht von Kindern durchgeführt werden, auch wenn sie dabei beaufsichtigt werden.

## ~ WICHTIGE ELEKTRO-HINWEISE ~

**Die elektrische Installation ist von einem qualifizierten Elektriker vorzunehmen.**

Jede Pumpe benötigt einen Leistungsschutzschalter, um die Pumpe von der Stromversorgung zu trennen. Der Kontaktabstand soll eine volle Abschaltung unter den Bedingungen der Überspannungskategorie III sichern.

Wird die Pumpe in einer Swimmingpool- oder Teichanlage installiert, ist es **OBLIGATORISCH** einen Fehlerstrom-Schutzschalter mit einem bemessenen Auslösestrom von nicht mehr als 30 mA zu installieren.

Überprüfen Sie das Typenschild der Pumpe auf folgendes: Spannung, Stromstärke und Hertz.

Das Stromkabel, einschließlich des Erdleiters, soll die Qualität **60245 IEC 66 (H07RN-F)** für Modelle **größer als 1 kW** Leistungsaufnahme aufweisen.

Für Modelle **kleiner als 1 kW** soll die Qualität **60245 IEC 57 (H05RN-F)** sein.

Alle Installationen müssen örtliche Vorschriften erfüllen, denen die Anforderungen **IEC 60364-7-702** zu Grunde liegen.

• **DIE IN DER TABELLE DES TECHNISCHEN HANDBUCHS ANGEGEBENE MINDESTSTÄRKE BEACHTEN.**

## ORT

Die Pumpe ist praktisch und in nächster Nähe des Swimmingpools zu platzieren. Die Pumpe muss sich außerdem in einer Position befinden, die leichten Zugang für periodische Wartung ermöglicht.

Ebenso ist darauf zu achten, dass die Pumpe in einem Bereich installiert wird, der keiner Überschwemmung ausgesetzt ist, d.h. in einem gut belüfteten, trockenen Bereich (Das Kühlgebläse des Pumpenmotors muss einen Mindestabstand von 150 mm haben).

## INSTALLATION

Das Unternehmen Waterco Limited verwendet modernste Technologie bei der Konstruktion und Fertigung unserer Pumpen; einige einfache Vorsichtsmaßnahmen bei der Installation werden jahrelangen, störungsfreien Betrieb sicherstellen.

1. Die Saugleitung der Pumpe sollte nicht kleiner als **40 mm (1 1/2")** sein.
2. Die Ansaugleitung soll so wenig Krümmer bzw. Winkelverschraubungen wie möglich aufweisen.
3. Verwenden Sie nur die mit der Pumpe gelieferten **Pumpen-Anschlußverschraubungen**.
4. Befestigen Sie die Pumpe mit Bolzen in der erforderlichen Position (verhindert Verschieben).
5. **Die Stromkabel der Pumpe sind der geeigneten Spannung und korrekten Drehrichtung entsprechend, in Übereinstimmung mit den Verdrahtungs-anweisungen, anzubringen.**
6. Alle Verdrahtungs- bzw. Elektroarbeiten sind von qualifizierten Elektrikern und in Übereinstimmung mit örtlichen Vorschriften auszuführen.
7. Der Motor ist zu erden.
8. Das Gewicht der Rohre und Zubehörteile ist unabhängig zu unterstützen und nicht von der Pumpe zu tragen.
9. Das Kühlgebläse des Pumpenmotors muss einen Mindestabstand von 150 mm haben.

## ELEKTRISCHE ANSCHLÜSSE

Vergewissern Sie sich, dass die Angaben auf dem Typenschild der Stromversorgung entsprechen.

Die Verkabelung muss von einem fachkundigen Elektriker ausgeführt werden, um zu gewährleisten, dass sie in Übereinstimmung mit allen örtlichen und nationalen Regeln des Landes erfolgt, in dem die Pumpe installiert wird. Die nationalen Verdrahtungsregeln für Australien und Neuseeland sind in der Norm AS/NZS 3000 enthalten.

Ein **DREHSTROMMOTOR** ist nicht mit einem internen Wärmeschutzschalter ausgestattet und benötigt entweder **einen abgesicherten Trennschalter oder einen Leistungsschalter**.

Installieren und richten Sie die Sicherungsvorrichtungen nach der auf dem Typenschild angegebenen Stromstärke ein.

Ein **EINPHASENMOTOR** hat einen eingebauten Wärmeschutzschalter.

## DREHSTROMMOTOR

Zusätzlich zu dem mit einer Sicherung versehenen Trennschalter benötigt ein DREHSTROMMOTOR einen Starter bzw. Magnetstarter mit korrekt bemessenem Überlastschutz.

### PRÜFEN SIE DIE DREHRICHTUNG DES DREHSTROMMOTORS.

Vom Motorende (Ventilatordeckel) aus betrachtet, eignet sich der Motor nur für Drehung im Uhrzeigersinn.

**Der Drehstrommotor kann sich in der einen oder anderen Richtung drehen.** Wechseln eines der Kabel an einem Drehstrommotor kehrt die Drehrichtung um. Zur Überprüfung der Drehrichtung des Motors ist dieser 1 Sekunde lang einzuschalten. Dreht er sich in der falschen Richtung, ist der Strom auszuschalten und der obige Überprüfungsschritt zu wiederholen.

Bei der Installation einer dreiphasigen Pumpe, muss eine Trennvorrichtung für permanenten Einbau zur Verfügung stehen, damit die Pumpe vom Netzstrom isoliert werden kann. **Ein Kontaktabstand von 3 mm pro Pol ist erforderlich, für dreiphasige und einphasige Pumpen.**

Motorschutz MUSS dem Nennstrom des Motors entsprechend installiert werden. **SIEHE WERT AUF DEM LEISTUNGSSCHILD.**

Es obliegt der **VERANTWORTLICHKEIT** des Anwenders angemessenen Schutz zwischen dem Motor und der Stromversorgung sicherzustellen.

Der Installateur muss alle drei Phasen an der Versorgung des Motors schützen, damit die Pumpe nicht nur mit 1 oder 2 Phasen laufen kann.

### **⚠ ACHTUNG!**

*Vor dem Trennen elektrischer Anschlüsse ist der Strom an seiner Quelle, z.B. am Sicherungs- oder Leistungsschalterkasten abzuschalten. Vor Durchführung von Arbeiten an der Pumpe ist sicherzustellen, dass der Pumpenschalter bzw. die Zeitgeber ausgeschaltet sind. **STELLEN SIE SICHER, DASS DER NETZSTROM AUSGESCHALTET IST.***

# ANSCHLUSSBILD

## • EINPHASIG



Blau = Nullleiter  
Braun = Phase  
Grün/Gelb = Erde  
Grün mit gelben Streifen =  
Erde (GB/EU)

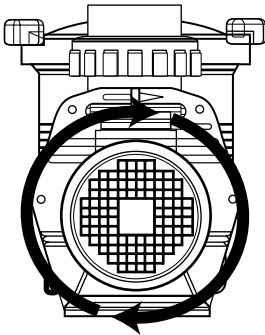
## • DREIPHASIG



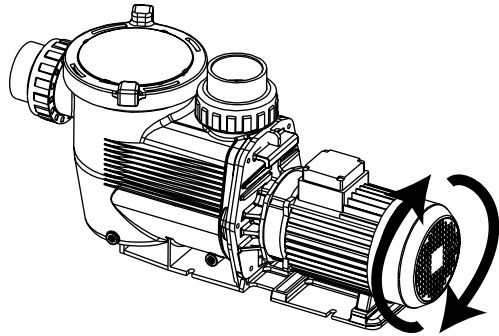
Schwarz = L3  
Blau = L2  
Braun = L1  
Grün/ Gelb = Erde

**Hinweis:** Die genaue Konfiguration der elektrischen Verkabelung kann in den verschiedenen Ländern variieren. Daher sollten Installateure die Einhaltung der jeweiligen Vorschriften und Standards sicherstellen.

## • DREHRICHTUNG DER PUMPE MIT DREHSTROMMOTOR



DREHUNG IM UHRZEIGERSINN





## ANSAUGEN

**Die Pumpe von Waterco Limited wird immer wieder erneut ansaugen, vorausgesetzt, dass der Filterkorbtopf voll Wasser ist, und vom Ansaugpunkt genügend Wasservorrat zur Verfügung steht.**

Falls Sie Wasser aus dem Filterkorbtopf verlieren, muss dieser vor Starten wieder gefüllt werden.

1. Entfernen Sie den klaren Deckel und füllen Sie den Filterkorbtopf mit Wasser.
2. Den Deckel wieder aufsetzen, und dabei auf **korrekte Lage des O-Rings achten**, dann die Pumpe starten.

Danach **einige Minuten (Maximum) warten**, bis die Pumpe Wasser zu fördern beginnt.

### **⚠ ACHTUNG!**

*Hoher Ansaughub oder lange Ansaugleitungen benötigen zusätzliche Zeit zum Ansaugen und können die Leistung der Pumpe stark beeinträchtigen.*

*Falls die Pumpe nicht ansaugt (fluss), sind die obigen Schritte 1 und 2 zu wiederholen.*

### **⚠ ACHTUNG!**

*Gleitringdichtungen können sehr schnell beschädigt werden, wenn man Trockenlauf zulässt, und sind nötigenfalls zu ersetzen. **STELLEN SIE SICHER**, dass stets genügend Wasser in der Filterkorbschale vorhanden ist, bevor Sie mit der Inbetriebnahme beginnen.*

*Sehen Sie bitte in der Anleitung für Fehlersuche nach, falls Sie die Pumpe nicht vorfüllen können.*

*Achten Sie darauf, dass **alle Ansaug- und Förderstromventile offen sind**, bevor Sie die Pumpe starten. Betreiben der Pumpe, wenn diese Ventile geschlossen sind, kann zur Beschädigung der Pumpe führen.*

## WARTUNG

Der Filterkorb ist in regelmäßigen Abständen zu inspizieren und zu reinigen.

1. Deckel abnehmen und den Korb herausheben.
2. Verunreinigungen entfernen und den Korb nötigenfalls mit sauberem Wasser abspritzen.
3. Deckeldichtung inspizieren und nur wenn erforderlich mit Fett auf **SILICON**-Basis schmieren. Beschädigte Dichtungen sind zu ersetzen.
4. Filterkorb wieder einsetzen.
5. Filterkorbschale wieder vorfüllen.
6. O-Ring korrekt platzieren.
7. Deckel wieder anbringen (**nur fingerfest anziehen**).
8. Pumpe einschalten.

In Klimazonen, wo die Pumpe möglicherweise **Frost- oder Gefrierbedingungen ausgesetzt ist**, muss man sicherstellen, dass die Pumpe vor Beschädigung geschützt wird.

**Völlige Entleerung** der Pumpe wird **empfohlen**, wenn sie in der Winterzeit nicht zum Einsatz kommt.

Waterco Limited liefert Ablasschrauben gerade für diesen Zweck.

Die Ablasschraube nicht wieder eindrehen, sondern an einem sicheren Ort aufbewahren, **z. B. im Filterkorb**, bis Sie die Pumpe wieder brauchen.

Wenn irgend möglich, ist die Pumpe auszubauen und während dieser Zeit an einem trockenen Ort aufzubewahren.

Bei Reaktivieren der Pumpe ist darauf zu achten, dass sich alle Dichtungen und O-Ringe in betriebsfähigem Zustand befinden; nötigenfalls neu einfetten bzw. **ersetzen**, wenn Zweifel hinsichtlich Zustand vorliegen.

• ***Vor Reaktivieren ist die Motorwelle auf freie Bewegung zu überprüfen.***

## FLÜSSIGKEITSTEMPERATUR

Die zulässige Temperatur ist **> als 0°C und < als 45°C**. Die Pumpe ist keinesfalls außerhalb dieser Temperaturen zu betreiben. Nichtbeachtung kann Beschädigung zur Folge haben.

## WARTUNG

Nötigenfalls, oder wenn Sie nicht in der Lage sind, Ihre Pumpe von Waterco Limited zu warten, kontaktieren Sie stets Ihren **bevollmächtigten Servicevertreter von Waterco Limited** zwecks Beratung oder Service vor Ort.

• ***Bei Pumpenwartung, nötigenfalls stets Originalersatzteile von Waterco Limited verwenden.***

## **WARNUNGEN IN BEZUG AUF INSTALLATIONS - UND MONTAGEARBEITEN**

1. Beim Anschließen elektrischer Kabel an den Pumpenmotor, ist sorgfältig darauf zu achten, sie korrekt im Anschlusskasten anzuordnen. Vergewissern Sie sich vor dem Schließen, dass keine Kabelstückchen im Kasten zurückgelassen worden sind. **Achten Sie darauf, dass der Erdleiter korrekt angeschlossen ist.** Beim Anschließen des Motors ist nach dem mit der Pumpe mitgelieferten Schaltplan zu verfahren.
2. Achten Sie besonders sorgfältig darauf, **dass kein Wasser in den Motor oder in die unter Spannung stehenden Teile eindringt.**
3. Für den Fall, dass die geplante Verwendung nicht der spezifizierten entspricht, sind möglicherweise Anpassungen und zusätzliche technische Bestimmungen erforderlich.

### **WARNUNGEN BEZÜGLICH STARTEN**

- *Vor Starten der Pumpe ist die Eichung bzw. Kalibrierung der elektrischen Schutzvorrichtungen des Motors zu verifizieren, und dass sich alle Schutze gegen Berührung elektrischer oder mechanischer Kontakte an Ort und Stelle befinden.*

## **WARNUNGEN IN BEZUG AUF MONTAGE - UND WARTUNGSARBEITEN**

1. **Achten Sie besonders sorgfältig darauf, dass kein Wasser in den Motor oder in die unter Spannung stehenden elektrischen Teile eindringt.**
2. Vermeiden Sie jeglichen, selbst zufälligen, Kontakt mit den beweglichen Teilen der Pumpe.
3. Warten Sie bis die Pumpe völlig zum Stillstand gekommen ist, bevor Sie diese auf irgendeine Weise handhaben.
4. **Stellen Sie vor Durchführen elektrischer oder mechanischer Wartungsarbeiten sicher, dass die Maschine vom Netz abgeklemmt ist und die Startvorrichtungen verriegelt worden sind.**
5. Es ist ratsam, die unten aufgeführten Schritte zu befolgen, bevor die Pumpe in irgendeiner Weise gehandhabt wird.
  - a) Unterbrechen Sie die Spannung zur Pumpe.
  - b) Verriegeln Sie die Startvorrichtungen.
  - c) Verifizieren Sie, dass keine Spannung an den Schaltungen, einschließlich Hilfsvorrichtungen und Hilfsschaltungen, anliegt.
  - d) Warten Sie bis der Motor gänzlich stillsteht.

**Die obige Liste ist für die Sicherheitszwecke nur indikativ und nicht bindend zu betrachten; spezielle Sicherheitsbestimmungen können vielleicht in besonderen Vorschriften vorliegen.**

### **Prüfen Sie regelmäßig:**

1. Die korrekten Befestigungen der mechanischen Teile und der Stützsrauben der Pumpe.
2. Die korrekte Position, Befestigung und Kondition der Versorgungskabel und der Isolierteile.
3. Die Temperatur des Motors. Bei der geringsten Unregelmäßigkeit ist die Maschine sofort zu stoppen und reparieren zu lassen.
4. Die Vibration bzw. Schwingung der Pumpe. Bei irgendeiner Unregelmäßigkeit ist die Maschine sofort zu stoppen und reparieren zu lassen.

Aufgrund der Komplexität der abgedeckten Fälle, versuchen die in dieser Anleitung hinsichtlich Installation, Verwendung und Wartung enthaltenen Anweisungen nicht, alle möglichen und vorstellbaren Fälle von Service und Wartung zu untersuchen. Wenn zusätzliche Anweisungen erforderlich sind, oder wenn spezielle Probleme auftauchen, dann zögern Sie bitte nicht, den Vertriebs Händler zu kontaktieren oder sich direkt mit dem Pumpenhersteller in Verbindung zu setzen.

## FEHLERSUCHE

SYMPTOME	MÖGLICHE URSACHE	ABHILFE
1. PUMPE SAUGT NICHT AN	Ansaugluftleck  Kein Wasser in der Pumpe Geschlossene Ventile oder blockierte Leitungen	Sicherstellen, dass der Wasserpegel durch den Ansaugpunkt korrekt ist. Sicherstellen, dass Körbe und Siebe frei von Verunreinigungen sind. Alle Zubehör/ Rohrverbindungen auf der Ansaugseite der Pumpe festziehen, Gleitringdichtung entfernen und ersetzen.  Sicherstellen, dass Filterkorbschale voll ist.  Alle Ventile im System öffnen, Skimmer und Pumpenkorb reinigen, Pumpenlaufrad auf Blockierung prüfen.
2. MOTOR LÄUFT NICHT	Kein Strom zum Motor  Pumpe blockiert	Prüfen, dass alle elektrischen Schalter an sind. Sicherstellen, dass die Leistungsschutzschalter richtig eingestellt sind. Überprüfen, ob der Zeitgeber richtig eingestellt ist. Motorverdrahtung an den Klemmen überprüfen.  Bei ausgeschaltetem Strom ist die Pumpenwelle zu drehen (sollte sich frei drehen). Wenn nicht, Elektriker oder nächste Waterco Limited Filiale zwecks Service kontaktieren.
3. GERINGER DURCHFLUSS	Verschmutzter Filter Skimmer und Pumpensieb verschmutzt Ansaugluftleck Geschlossenes Ventil oder blockierte Leitung	Rückspülen oder Patronen reinigen. Skimmer und Pumpensieb reinigen.  Siehe 1. Siehe 1.
4. MOTOR LÄUFT HEISS	Niedrige oder falsche Spannung  In direktem Sonnenlicht installiert Schlechte Ventilation	Versorgung ist vom Elektriker zu berichtigen. Motoren laufen berührungsheiss, was normal ist. Der Übertemperaturschutz wird funktionieren und sie ausschalten, falls ein Überlast- oder Hochtemperaturproblem vorliegt. Das Kühlgebläse des Pumpenmotors muss einen Mindestabstand von 150 mm haben.  Gegen Wetter abschirmen. Motor keinesfalls dicht abdecken oder einschließen.
5. LAUTER BETRIEB DER PUMPE	Abgenutztes Lager Luftleck in der Ansaugung Ansaugblockierung Fremdkörper im Laufrad  Kavitation	Durch Elektriker zu ersetzen. Siehe 1. Blockierung auffinden und beseitigen. Pumpe auseinandernehmen und Fremdkörper und Verunreinigungen um das Laufrad herum entfernen.  Ansaugung verbessern, Ansaughub reduzieren, Anzahl von Zubehörteilen reduzieren, Rohrgröße vergrößern, Förderdruck erhöhen und Durchfluss durch Drosseln des Förderventils reduzieren.
6. MOTORÜBERLAST LÖST AUS	Motor nicht richtig verkabelt Niedrige Eingangsspannung  Überlastung, wegen Verklemmen in der Pumpe oder Laufrad falscher Größe	Verdrahtung vom Elektriker überprüfen lassen. Spannung vom Elektriker überprüfen lassen, sicherstellen, dass die Pumpe nicht mit einem Verlängerungskabel läuft. Niedrige Versorgung dem Stromversorgungsunternehmen melden.  Waterco Limited zwecks Service kontaktieren.

**ACHTUNG!** Wenn sich die Waterco Limited Pumpe innerhalb der angegebenen Garantiezeit befindet und Sie Fehler feststellen, setzen Sie sich bitte stets mit Ihrem Lieferanten oder Ihrer nächsten Waterco Limited Niederlassung zwecks Beratung in Verbindung. Nichtbeachtung könnte die Garantie ungültig machen. Beziehen Sie sich bitte auf die mit der Pumpe mitgelieferte Garantiedokumentation.

Alle Elektroarbeiten sind von qualifizierten Elektrikern auszuführen. Ohne die notwendige Qualifikationen, sollten Sie keinesfalls versuchen, Elektrobauteile von Waterco Limited Pumpen zu reparieren.

# Índice

NORMAS GENERALES DE SEGURIDAD .....	27
UBICACIÓN .....	28
INSTALACIÓN .....	28
CONEXIÓN ELÉCTRICA .....	29
MOTOR TRIFÁSICO .....	29
DIAGRAMA DE CABLEADO .....	30
CEBADO .....	30
MANTENIMIENTO .....	31
TEMPERATURA DEL LÍQUIDO .....	31
SERVICIO .....	31
ADVERTENCIAS PARA LOS TRABAJOS DE .....	32
INSTALACIÓN Y MONTAJE	
ADVERTENCIAS PARA LOS TRABAJOS DE .....	32
MONTAJE Y MANTENIMIENTO	
SOLUCIÓN DE PROBLEMAS .....	33

## NORMAS GENERALES DE SEGURIDAD

1. Las máquinas mencionadas en el manual están especialmente diseñadas para la prefiltración y recirculación del agua en las piscinas.
2. Están diseñadas para funcionar con agua limpia a una temperatura máxima de **45 grados centígrados (113 grados Fahrenheit)**.
3. La instalación debe realizarse de acuerdo con las instrucciones de seguridad para piscinas, **especialmente la norma IEC 60364-7-702**, y las instrucciones específicas de cada instalación.
4. Las normas que se aplican para la prevención de accidentes deben seguirse cuidadosamente.
5. Toda modificación del filtro requiere el **consentimiento previo del fabricante**. Las piezas de repuesto y los accesorios originales autorizados por el fabricante aseguran un alto nivel de seguridad. El fabricante de la bomba no asume ninguna responsabilidad por los daños y lesiones **causados por piezas de recambio y accesorios no autorizados**.
6. Durante el funcionamiento, algunas partes de la bomba están sujetas a un voltaje eléctrico peligroso. Solo pueden realizarse trabajos en una bomba o en los equipos conectados a ella después **de desconectarlos de la red eléctrica y después de desconectar el dispositivo de arranque**.
7. El usuario debe asegurarse de que los trabajos de montaje y mantenimiento son realizados por **personas cualificadas autorizadas** y de que estas personas han leído primero detenidamente las siguientes instrucciones de servicio e instalación.
8. La seguridad operativa de la bomba solo se garantiza si se siguen correctamente las instrucciones de instalación y servicio.
9. Los valores límite establecidos en la tabla técnica **no deben superarse bajo ninguna circunstancia**.
10. En caso de funcionamiento defectuoso o de avería, póngase en contacto con el departamento de asistencia técnica del fabricante o con sus agentes autorizados más cercanos.
11. Si el cable de alimentación está dañado, debe ser reemplazado por un agente de servicio autorizado.
12. Este aparato no está destinado a ser utilizado por personas (incluidos los niños) con capacidades físicas, sensoriales o mentales reducidas, o que carezcan de experiencia y conocimientos, salvo que estén supervisados por una persona responsable de su seguridad o que dicha persona les haya dado instrucciones sobre el uso del aparato y que entiendan los riesgos implicados.
13. Los niños deben estar vigilados para garantizar que no juegan con el equipo.
14. Todo el trabajo de cableado (eléctrico) debe ser realizado por electricistas autorizados y debe instalarse de conformidad con los códigos locales.
15. Si la bomba va a instalarse en una piscina o en un estanque, es obligatorio que se instale un disyuntor de fuga a tierra con una corriente nominal de activación no superior a 30 mA.
16. Desconecte siempre el aparato de la corriente antes de montarlo, desmontarlo o limpiarlo.
17. En condiciones de congelación, se debe vaciar el agua del armazón de la bomba por completo a través de los tapones de vaciado.

### **Para su uso en Europa:**

1. Este aparato no está destinado a ser utilizado por personas (incluidos los niños a partir de 8 años) con capacidades físicas, sensoriales o mentales reducidas, o que carezcan de experiencia y conocimientos, salvo que estén supervisados por una persona responsable de su seguridad o que dicha persona les haya dado instrucciones sobre el uso del aparato.
2. Los niños deben estar vigilados para garantizar que no juegan con el equipo.
3. La limpieza y mantenimiento por parte del usuario no deben realizarla niños, ni siquiera bajo la supervisión de un adulto.

## ~ AVISO ELÉCTRICO IMPORTANTE ~

**La instalación eléctrica debe ser realizada por un electricista autorizado.**

*Cada bomba requiere un interruptor de circuito para separar la bomba del suministro eléctrico.*

*La separación entre contactos tiene que ser capaz de desconectar completamente todos los polos en condiciones de sobrevoltaje de categoría iii.*

*Si la bomba va a instalarse en una piscina o en un estanque, es **OBLIGATORIO** que se instale un interruptor de salida a tierra con una corriente nominal de activación no superior a **30 mA**.*

*Compruebe lo siguiente en la placa de características de las bombas: voltaje, amperaje y ciclo.*

*El cable de alimentación, incluido el cable a tierra, tendrá una calidad de **60245 IEC 66 (H07RN-F)** para los modelos de más de **1 kW** de entrada de energía.*

*Para los modelos de menos de **1 kW** de entrada, la calidad será de **60245 IEC 57 (H05RN-F)**.*

*Todas las instalaciones deben cumplir con los códigos locales, basados en los requisitos de **IEC 60364-7-702**.*

## UBICACIÓN

La bomba debe colocarse lo más cerca posible de la piscina. La bomba también debe estar en una posición que permita un fácil acceso para su mantenimiento periódico.

También hay que tomar precauciones para colocar la bomba en una zona donde no haya riesgo de inundación y que esté bien ventilada y seca. (El ventilador de refrigeración del motor de la bomba debe tener una holgura mínima de 150 mm).

## INSTALACIÓN

Waterco Limited utiliza la última tecnología en el diseño y la fabricación de nuestras bombas, unas simples precauciones durante la instalación garantizarán años de funcionamiento sin problemas.

1. La línea de la bomba de succión no debe ser inferior a 40 mm (1 1/2").
2. La línea de succión debe tener el menor número posible de tubos curvados o codos. No debe haber un sifón de aire en la línea de succión.
3. Use solo las uniones de tambor de la bomba que se suministran con esta.
4. Atornille la bomba en la posición requerida (para evitar el movimiento).
5. El cableado eléctrico de la bomba debe conectarse de forma que haya un voltaje y una rotación adecuados de acuerdo con las instrucciones de cableado.
6. Todo el trabajo de cableado (eléctrico) debe ser realizado por electricistas autorizados y debe instalarse de acuerdo a los códigos locales.
7. El motor debe estar conectado a tierra.
8. El peso de las tuberías y los empalmes debe apoyarse de forma independiente y no estar soportado por la bomba.
9. El ventilador de refrigeración del motor de la bomba tiene que tener una holgura mínima de 150 mm.



## CONEXIÓN ELÉCTRICA

Compruebe que la información en la placa de características se corresponde con la fuente de alimentación.

Contrate a un electricista competente para garantizar que la instalación del cableado se realiza según lo establecido en las normativas locales o nacionales del país en el que se instale la bomba. Las normativas nacionales en Australia y Nueva Zelanda son AS/NZS 3000.

El **MOTOR TRIFÁSICO** no tiene un protector térmico interno y requiere un **interruptor de desconexión con fusibles o un interruptor automático**.

Instale y ajuste los dispositivos de seguridad de acuerdo con la corriente que se indica en la placa de características

El **MOTOR MONOFÁSICO** tiene un interruptor de sobrecarga térmica incorporado.

## MOTOR TRIFÁSICO

**LOS MOTORES TRIFÁSICOS** requieren un interruptor de arranque o un arrancador magnético con una protección de sobrecarga de tamaño correcto, además del interruptor de desconexión con fusible.

### COMPROBACIÓN DE LA ROTACIÓN DE LOS MOTORES TRIFÁSICOS.

El motor solo puede funcionar en el sentido de las agujas del reloj si se mira desde la cubierta del ventilador (capucha) al final del motor.

**Los motores trifásicos podrían girar en cualquier dirección.** Cambiar 2 hilos cualesquiera del cable en un motor trifásico invertirá la dirección de la rotación. Para comprobar la rotación del motor, enciéndalo durante aproximadamente 1 segundo. Si está funcionando en la dirección equivocada, apague el circuito de alimentación e intercambie 2 hilos cualesquiera y repita el paso anterior para comprobarlo.

Al instalar bombas trifásicas, se debe disponer de un dispositivo separado para la instalación permanente, **esto es para que la bomba pueda aislarse de la red eléctrica. Se requiere una distancia entre contactos de 3 mm por polo tanto para las unidades trifásicas como para las monofásicas.**

La protección del motor DEBE instalarse de acuerdo con la corriente nominal del motor. **CONSULTE EL VALOR EN LA PLACA DE CARACTERÍSTICAS.**

Es **RESPONSABILIDAD** del usuario garantizar una protección adecuada entre el motor y la fuente de alimentación.

El instalador debe proteger las tres fases en el suministro del motor para que la bomba no pueda funcionar solo con 1 o 2 fases.

### **⚠ ADVERTENCIA**

*Antes de desconectar las conexiones eléctricas, desconecte la fuente de suministro eléctrico:*

**EJEMPLO:** la caja de fusibles o de interruptores de circuito. Antes de realizar cualquier trabajo en la bomba, asegúrese de que el interruptor o los temporizadores de la bomba estén desconectados y **DE QUE LA CORRIENTE ELÉCTRICA ESTÉ DESCONECTADA.**

## DIAGRAMA DE CABLEADO

### • MONOFÁSICO



Azul = neutro  
Marrón = fase  
Verde y amarillo = a tierra  
Verde con una raya amarilla  
= a tierra (Reino Unido/UE)

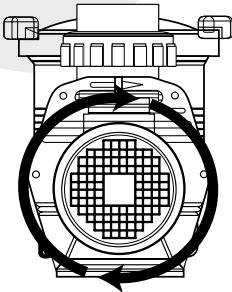
### • TRIFÁSICO



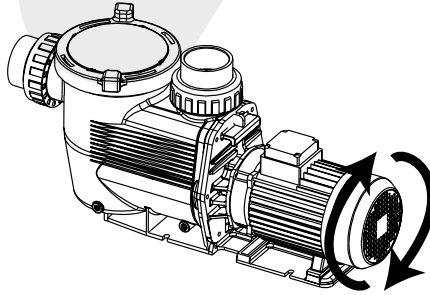
Negro = L3  
Azul = L2  
Marrón = L1  
Verde/amarillo = a tierra

**Nota:** La configuración del cableado eléctrico puede variar según el país y los instaladores deben asegurarse de que cumplen estos reglamentos y estándares.

## ROTACIÓN DE LA BOMBA TRIFÁSICA



ROTACIÓN EN EL SENTIDO DE  
LAS AGUJAS DEL RELOJ



## CEBADO

**La bomba de Waterco Limited se ceba y se vuelve a cebar siempre que el recipiente para pelos y fibras esté lleno de agua y haya suficiente suministro desde el punto de succión.**

Si pierde agua del recipiente para pelos y fibras, será necesario volver a llenarlo antes de empezar.

1. Quite la tapa transparente y llene con agua el recipiente para pelos y fibras.
2. Reemplace la tapa asegurándose de que **la junta tórica está correctamente** colocada y ponga en marcha la bomba.

A continuación, espere **unos minutos (como máximo)** hasta que la bomba empiece a suministrar agua.

### **⚠ ADVERTENCIA**

La altura de succión elevada o las líneas de succión largas requerirán un tiempo adicional para cebarse y pueden afectar gravemente al rendimiento de la bomba. Si la bomba no se ceba, repita los pasos 1 y 2 anteriores (flujo).

### **⚠ ADVERTENCIA**

Si se dejan funcionar en seco los cierres mecánicos, pueden dañarse rápidamente y puede ser necesario reemplazarlos.

**ASEGÚRESE** de que siempre haya suficiente agua en el recipiente para pelos y fibras antes de empezar.

Si no puede cebar la bomba, consulte la guía de solución de problemas.

Asegúrese de que todas las válvulas de *succión* y *descarga* estén abiertas antes de poner en marcha la bomba. Permitir que la bomba funcione con estas válvulas cerradas puede dañar la bomba.

## MANTENIMIENTO

La cesta del depurador en el recipiente para pelos y fibras debe comprobarse y limpiarse **periódicamente**.

1. Retire la tapa y levante la cesta.
2. Elimine los residuos y y limpie con una manguera a presión con agua limpia, si es necesario.
3. Compruebe la goma de la tapa, lubrique con grasa a base de **SILICONA** solo si es necesario. Si está dañada, reemplácela.
4. Reemplace el depurador.
5. Vuelva a cebar el recipiente para pelos y fibras.
6. Coloque correctamente la junta tórica.
7. Reemplace solo la tapa (**apriétela manualmente**).
8. Encienda la bomba.

En climas donde la bomba puede estar **expuesta a heladas o congelación**, debe tenerse cuidado para garantizar que la bomba esté protegida frente a daños.

Se recomienda que, si la bomba no se utiliza durante la temporada de invierno, **se drene completamente**.

Waterco Limited suministra tapones de drenaje con este propósito.

No reemplace el tapón de drenaje. Guárdelo en un lugar seguro hasta que necesite usar la bomba.

### Un ejemplo sería dentro del recipiente para pelos y fibras.

Si es posible, retire la bomba y guárdela en un lugar seco durante este período.

Cuando vuelva a activar la bomba, asegúrese de que todas las juntas y juntas tóricas estén en condiciones de funcionamiento, vuelva a engrasarlas si es necesario y (reemplácelas) si no está seguro de su estado.

Compruebe que el eje del motor se mueve libremente antes de volver a activar la bomba.

## TEMPERATURA DEL LÍQUIDO

La temperatura permitida es **> de 0 °C y < de 45 °C**. La bomba nunca debe ponerse en funcionamiento fuera de este rango de temperaturas, ya que podrían producirse daños.

## SERVICIO

Si surge la necesidad o no puede realizar los trabajos de servicio en su bomba Waterco Limited, póngase siempre en contacto con su **agente de servicio autorizado de Waterco Limited** para que le aconseje o realice el servicio in situ.

- *Utilice siempre piezas de repuesto originales de Waterco Limited para el mantenimiento de la bomba.*

## ADVERTENCIAS PARA LOS TRABAJOS DE INSTALACIÓN Y MONTAJE

1. Al conectar los cables eléctricos al motor de la bomba, tenga cuidado de colocarlos correctamente dentro de la caja de conexiones, verifique que no queden partes de cable dentro de la caja al cerrarla. **Compruebe que el cable a tierra esté correctamente conectado.** Cuando conecte el motor, siga el diagrama de cableado suministrado con la bomba..
2. **Tenga especial cuidado** de que no entre agua en el motor o en los componentes eléctricos bajo tensión.
3. En caso de que el uso previsto no sea el especificado, pueden ser necesarias adaptaciones y normas técnicas suplementarias.

### • ADVERTENCIAS PARA LA PUESTA EN MARCHA

Antes de poner en marcha la bomba, compruebe la calibración de los dispositivos de protección eléctrica del motor y que las protecciones contra los contactos eléctricos y mecánicos estén correctamente colocadas y fijadas.

## ADVERTENCIAS PARA LOS TRABAJOS DE MONTAJE Y MANTENIMIENTO

1. **Tenga especial cuidado de que no entre agua en el motor o en los componentes eléctricos bajo tensión.**
2. Evite todo contacto, incluso accidental, con las piezas móviles de la bomba.
3. Espere hasta que la bomba se haya detenido por completo antes de manipularla de cualquier forma.
4. **Antes de realizar trabajos de mantenimiento eléctrico o mecánico, asegúrese de que la máquina se ha desconectado de la red eléctrica y de que los dispositivos de arranque se han bloqueado.**
5. Es aconsejable seguir los pasos que se enumeran a continuación antes de manipular la bomba de cualquier forma.
  - a) Desconecte el voltaje de la bomba.
  - b) Bloquee los dispositivos de arranque.
  - c) Compruebe que no hay voltaje en los circuitos, incluyendo los dispositivos y circuitos auxiliares.
  - d) Espere hasta que el motor se detenga por completo.

La lista anterior debe considerarse indicativa y no vinculante a efectos de seguridad; puede haber normas de seguridad específicas en reglamentos particulares.

Compruebe regularmente:

1. La correcta fijación de piezas mecánicas y de los tornillos de soporte de la bomba.
2. La posición correcta, la fijación y el estado de los cables de suministro y de las piezas aislantes.
3. La temperatura del motor. En caso de cualquier irregularidad detenga la máquina inmediatamente y solicite su reparación.
4. La vibración de la bomba. En caso de cualquier irregularidad, detenga la máquina inmediatamente y solicite su reparación.

Dada la complejidad de los casos cubiertos, las instrucciones de instalación, uso y mantenimiento contenidas en este manual no intentan examinar todos los casos posibles e imaginables de servicio y mantenimiento. Si se requieren instrucciones complementarias o si surgen problemas especiales, no dude en ponerse en contacto con el distribuidor o dirigirse directamente al fabricante de la bomba.

## SOLUCIÓN DE PROBLEMAS

SÍNTOMAS	CAUSA PROBABLE	ACCIÓN
1. LA BOMBA NO CEBA	Fuga de aire de succión  No hay agua en la bomba Válvulas cerradas o líneas bloqueadas	Asegúrese de que el nivel de agua es correcto a través de los puntos de succión. Asegúrese de que no haya residuos en las cestas y los depuradores. Apriete todos los empalmes/las uniones en el lado de succión de la bomba, quite y reemplace el cierre mecánico.  Asegúrese de que el recipiente para pelos y fibras esté lleno.  Abra todas las válvulas del sistema, limpie la cesta espumadora y de la bomba, compruebe que el impulsor de la bomba no esté obstruido.
2. EL MOTOR NO FUNCIONA	El motor no tiene energía  Bomba atascada	Compruebe que todos los interruptores eléctricos están encendidos. Asegúrese de que los interruptores de circuito estén correctamente fijados. Compruebe si el temporizador está correctamente configurado. Compruebe el cableado del motor en los terminales.  Con la corriente desconectada, gire el eje de la bomba (debe girar libremente). Si no lo hace, póngase en contacto con un electricista o con la sucursal de Waterco Limited más cercana para que le presten servicio.
3. CAUDAL BAJO	Filtro sucio Espumadora y depurador de la bomba sucios Fuga de aire de succión Válvula cerrada o línea bloqueada	Realice el retrolavado o limpie el cartucho.  Limpie la espumadora y el depurador de la bomba.  Véase el punto 1.  Véase el punto 1.
4. EL MOTOR EN FUNCIONAMIENTO SE CALIENTA	Voltaje bajo o incorrecto  Instalado a plena luz del sol Ventilación deficiente	Solicite a un electricista que repare el suministro.  Es normal que al tocar un motor en funcionamiento esté caliente. El protector ante sobrecargas térmicas funcionará para apagarlos si hay una sobrecarga o un problema de temperatura elevada. El ventilador de refrigeración del motor de la bomba tiene que tener una holgura mínima de 150 mm.  Prótejalos del clima.  No cubra ni encierre con firmeza el motor.
5. FUNCIONAMIENTO RUIDOSO DE LA BOMBA	Mala estanqueidad Fuga de aire en la línea de succión Bloqueo de la línea de succión Materia extraña en el impulsor  Cavitaciones	Solicite a un electricista el reemplazo.  Véase el punto 1.  Localice y elimine la obstrucción.  Desmonte la bomba y elimine la materia extraña y los residuos de alrededor del impulsor.  Mejore la succión, reduzca la altura de succión, reduzca el número de empalmes, aumente el tamaño de las tuberías, aumente la presión de descarga y reduzca el caudal cerrando la válvula de descarga.
6. LA SOBRECARGA DEL MOTOR SE DISPARA	El motor no está conectado correctamente Bajo voltaje de entrada  Sobrecarga debida a un atasco en la bomba o al tamaño incorrecto del impulsor.	Solicite a un electricista que revise el cableado.  Solicite a un electricista que compruebe el voltaje, asegúrese de que la bomba no está funcionando con un alargador. Informe a las autoridades sobre el bajo suministro.  Contacte con Waterco Limited para que le presten servicio.

**Aviso:** si la bomba de Waterco Limited se encuentra dentro del período de garantía establecido y detecta fallos, póngase en contacto con su proveedor o con la sucursal de Waterco Limited más cercana para que le asesoren. No hacerlo puede anular la garantía. Consulte la documentación de la garantía suministrada con la bomba.

Todos los trabajos eléctricos deben ser realizados por un electricista cualificado. En ningún caso intente reparar los componentes eléctricos de las bombas de Waterco Limited por su cuenta, salvo que esté cualificado para ello.

# Inhoudsopgave

ALGEMENE VEILIGHEIDSVOORSCHRIFTEN .....	27
LOCATIE .....	28
INSTALLATIE .....	28
ELEKTRISCHE AANSLUITING .....	29
DRIE-FASENMOTOR .....	29
BEDRADINGSDIAGRAM .....	30
AANZUIGING .....	30
ONDERHOUD .....	31
WATERTEMPERATUUR .....	31
ONDERHOUD DOOR TECHNICUS .....	31
WAARSCHUWINGEN VOOR INSTALLATIE- EN MONTAGETAKEN .....	32
WAARSCHUWINGEN VOOR MONTAGE- EN ONDERHOUDSTAKEN .....	32
FOUTOPSPORING .....	33

## ALGEMENE VEILIGHEIDSVORSCHRIFTEN

1. De in deze handleiding beschreven machines zijn specifiek ontworpen voor het voorfilteren en recirculeren van water in zwembaden.
2. Ze zijn bedoeld om gebruikt te worden met schoon water met een maximumtemperatuur van **45 graden Celsius (113 graden Fahrenheit)**.
3. De installatie moet worden uitgevoerd conform de veiligheidsinstructies voor badinrichtingen, in het bijzonder de richtlijn **HD 60364-7-702** en de specifieke instructies horend bij elke inrichting.
4. Las normas que se aplican para la prevención de accidentes deben seguirse cuidadosamente.
5. Voor elke wijziging aan de pomp is **vooraf toestemming nodig van de fabrikant**. Authentieke vervangingsonderdelen en toebehoren die door de fabrikant zijn goedgekeurd, dragen bij aan een hoog veiligheidsniveau. De fabrikant van de pomp aanvaardt geen aansprakelijkheid voor **schade en letsel veroorzaakt door ongeautoriseerde vervangingsonderdelen of toebehoren**.
6. Sommige delen van de pomp komen tijdens het gebruik onder gevaarlijke elektrische spanning te staan. Er mag pas aan elke pomp of op de pomp aangesloten apparatuur worden gewerkt **nadat de netspanning ervan is uitgeschakeld en de netspanning van de startinrichting is uitgeschakeld**.
7. De gebruiker dient ervoor te zorgen dat montage- en onderhoudswerkzaamheden worden uitgevoerd door bekwaame, **geautoriseerde personen** en dat deze personen eerst de onderhouds- en installatie-instructies zorgvuldig hebben doorgelezen.
8. De bedrijfsveiligheid van de pomp is alleen gegarandeerd als de installatie- en onderhoudsinstructies correct worden opgevolgd.
9. De maximale waarden die staan vermeld in de Technische tabel **mogen onder geen enkele omstandigheid worden overschreden**.
10. Neem bij een gebrekkige werking of storingen contact op met de afdeling technische ondersteuning van de fabrikant of de dichtstbijzijnde geautoriseerde vertegenwoordiger.
11. Als de netspanningskabel beschadigd is, dient deze door een erkende onderhoudsmedewerker te worden vervangen.
12. Het apparaat mag niet worden gebruikt door personen (inclusief kinderen) die beperkte fysieke, sensorische of geestelijke vermogens hebben of niet over de vereiste ervaring en kennis beschikken, tenzij een persoon die verantwoordelijk is voor hun veiligheid toezicht houdt of hen opgeleid heeft in het gebruik van het apparaat, en als zij de betrokken gevaren begrijpen.
13. Het apparaat is niet bedoeld voor gebruik door jonge kinderen. Kinderen moeten onder toezicht worden gehouden om ervoor te zorgen dat zij niet met het apparaat spelen.
14. Alle (elektrische) bedradingswerkzaamheden moeten worden uitgevoerd door een erkende elektricien en de installatie moet worden uitgevoerd overeenkomstig lokale regels.
15. Als de pomp wordt geplaatst bij een vijver of bad is het verplicht om een aardlekschakelaar te installeren met een uitschakelstroom van niet meer dan 30 mA.
16. Koppel het apparaat altijd los van de voeding voorafgaand aan montage, demontage of reiniging.
17. Als het vriest, moet het water volledig uit het pomphuis worden afgevoerd door de aftapluggen op het pomphuis te openen.

### Voor gebruik in Europa:

1. Dit apparaat mag niet worden gebruikt door personen (inclusief kinderen vanaf 8 jaar) die beperkte fysieke, sensorische of geestelijke vermogens hebben of niet over de vereiste ervaring en kennis beschikken, tenzij een persoon die verantwoordelijk is voor hun veiligheid toezicht houdt of hen opgeleid heeft in het gebruik van het apparaat.
2. Kinderen moeten onder toezicht worden gehouden om ervoor te zorgen dat zij niet met het apparaat spelen.
3. Reiniging en gebruikersonderhoud mogen zonder toezicht niet door kinderen worden uitgevoerd.

## ~ BELANGRIJKE OPMERKING INZAKE ELEKTRA ~

### **De elektrische installatie dient door een erkend technicus te worden uitgevoerd.**

Voor elke pomp is een zekering vereist die de pomp van de stroomvoorziening scheidt.

De contactscheiding moet voor een volledige ontkoppeling zorgen bij alle polen in het geval van een overspanning van categorie III.

Als de pomp wordt geplaatst bij een vijver of bad is het **VERPLICHT** om een aardlekschakelaar te installeren met een uitschakelstroom van niet meer dan **30 mA**.

Controleer de naamplaat op de pomp voor de volgende informatie: Spanning, stroomsterkte en frequentie.

Het netsnoer, inclusief de aardingsdraad, dient een kwaliteit te hebben die voldoet aan de norm **60245 IEC 66 (H07RN-F)** voor modellen met een ingangsvermogen van meer dan **1 kW**.

Modellen met een ingangsvermogen van minder dan **1 kW** dienen een kwaliteit te hebben die voldoet aan de norm **60245 IEC 57 (H05RN-F)**.

Alle installaties moeten aan de lokale regels voldoen, gebaseerd op de vereisten van de norm **IEC 60364-7-702**.

## LOCATIE

De pomp moet zo dicht mogelijk in de buurt van het bad worden geplaatst. De pomp moet ook op een plaats komen waar deze gemakkelijk toegankelijk is voor periodiek onderhoud.

Verder moet bij het kiezen van een plaats voor de pomp worden vastgesteld dat de plaats niet kan overstromen, goed wordt geventileerd en droog is (De koelventilator voor de pompmotor moet aan alle kanten een minimale vrije ruimte hebben van 150 mm).

## INSTALLATIE

Waterco Limited maakt gebruik van de nieuwste technologie bij het ontwerpen en produceren van pompen. Als u enkele voorzorgsmaatregelen in acht neemt tijdens de installatie, hebt u jarenlang plezier van een probleemloze werking.

1. De zuigleiding van de pomp mag niet kleiner zijn dan 40 mm (1 1/2").
2. De zuigleiding moet zo weinig mogelijk bochten en buigingen hebben. Er mag geen lucht in de zuigleiding worden gevangen.
3. Gebruik alleen de pompkoppelstukken die bij de pomp zijn geleverd.
4. Zet de pomp op de gewenste plaats vast (om beweging te voorkomen).
5. De elektrische kabel van de pomp moet de juiste spanning en rotatie hebben, overeenkomstig de bedradingsinstructies.
6. Alle (elektrische) bedradingswerkzaamheden moeten worden uitgevoerd door een erkende elektricien en de installatie moet worden uitgevoerd overeenkomstig lokale regels.
7. De motor moet worden geaard.
8. Het gewicht van de leidingen en bevestigingssystemen moet onafhankelijk worden ondersteund en mag niet door de pomp worden gedragen.
9. De koelventilator voor de pompmotor moet aan alle kanten een minimale vrije ruimte hebben van 150 mm.



## ELEKTRISCHE AANSLUITING

Controleer of de informatie op de naamplaat overeenkomt met de netspanningsaansluiting.

Vraag een erkend elektricien om de kabels te installeren overeenkomstig lokale en/of nationale voorschriften in het land waar de pomp wordt geïnstalleerd. De nationale bedradingsnorm in Australië en Nieuw-Zeeland is AS/NZS 3000.

**DRIE-FASENMOTOR** wordt zonder interne thermische schakelaar geleverd en vereist een stroomonderbreker of **een stroomonderbreker met een zekering**.

Installeer en stel de veiligheidsvoorzieningen in, overeenkomstig de op de naamplaat vermelde stroom

Een **EEN-FASEMOTOR** heeft een ingebouwde thermische overbelastingsschakelaar.

## DRIE-FASENMOTOR

Voor **DRIE-FASENMOTOREN** is naast de stroomonderbreker met zekering ook een startschakelaar of magnetische starter met de juiste beveiliging tegen overbelasting vereist.

### CONTROLEER DE DRAAIRICHTING VAN DE DRIE-FASENMOTOR.

De motor is alleen geschikt om met de wijzers van de klok mee te draaien, gezien vanaf de eindventilatorkep van de motor (behuizing).

**Een drie-fasenmotor kan in beide richtingen draaien. Door 2 van de draden** in de kabel van een drie-fasenmotor te verwisselen, wordt de draairichting omgekeerd. Controleer de draairichting van de motor door deze gedurende circa 1 seconde te laten draaien. Als de motor in de verkeerde richting draait, schakel de stroom dan uit, verwissel 2 (willekeurige) draden en herhaal ter controle de bovenstaande stap.

Wanneer er een drie-fasepomp wordt geïnstalleerd, moet er een afzonderlijke elektrische beveiligingsschakelaar worden geïnstalleerd, zodat de pomp kan worden geïsoleerd van de netspanning. **Een contactafstand van 3 mm per pool is vereist voor zowel drie-fase-eenheden als een-fase-eenheden.**

Er MOET een motorbeveiligingsschakelaar worden geïnstalleerd die voldoet aan de nominale stroomsterkte van de motor. **ZIE DE WAARDE OP HET CLASSIFICATIEPLAATJE.**

Het is de **VERANTWOORDELIJKHEID** van de gebruiker om te zorgen voor voldoende beveiliging tussen de motor en de netspanningsaansluiting.

De installateur moet alle drie de fasen op de stroomtoevoer van de motor beveiligen zodat de pomp niet op alleen 1 of 2 fasen kan draaien.

### **⚠ WAARSCHUWING**

*Schakel eerst de stroom bij de bron uit alvorens elektrische verbindingen los te maken:*

**EEN VOORBEELD:** De zekeringkast. Voordat er werk aan de pomp wordt verricht moeten de pompschakelaar of timers worden uitgeschakeld en moet **DE NETSPANNING WORDEN UITGESCHAKELD.**

## BEDRADINGSDIAGRAM

### • ÉÉN FASE



Blauw = Neutraal  
Bruin = Fase  
Groen en geel = Aarde  
Groen met gele streep  
= Aarde (VK/EU)

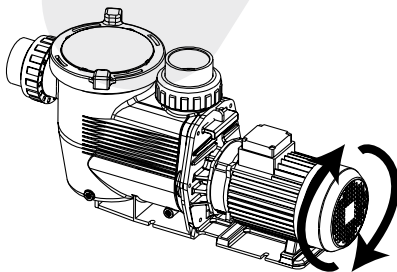
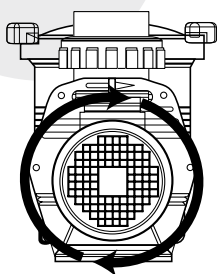
### • DRIE FASEN



Zwart = L3  
Blauw = L2  
Bruin = L1  
Groen/geel = Aarde

**Let op:** De exacte configuratie van de elektrische bedrading kan per land anders zijn en installateurs moeten ervoor zorgen dat zij de plaatselijke regels en normen hanteren.

## DRAAIING VAN EEN DRIE-FASEPOMP



MET DE WIJZERS VAN DE KLOK MEE

## AANZUIGING

**De Waterco Limited-pomp zorgt zelf voor de aanzuiging mits de opvangbak voor haar en vuil volledig gevuld is met water is en er voldoende aanvoer vanaf het aanzuigpunt is.**

Als u water lekt bij de opvangbak voor haar en vuil is het nodig deze opnieuw te vullen met water alvorens aan de slag te gaan.

1. Verwijder het doorzichtige deksel en vul de opvangbak voor haar en vul met water.
2. Plaats het deksel terug en zorg er daarbij voor dat de **o-ring op de juiste** plaats wordt aangebracht en zet vervolgens de pomp in werking.

Het duurt **maximaal enkele minuten** tot de pomp water doorvoert.

### **⚠ WAARSCHUWING**

Bij een hoogteverschil en lange leidingen kan het langer duren tot de pomp water heeft aangezogen en kunnen de prestaties van de pomp minder zijn. Als de pomp geen water aanzuigt (geen doorstroming van water), herhaal dan stap 1 en 2 hierboven.

### **⚠ WAARSCHUWING**

Mechanische afsluitingen kunnen snel beschadigd raken als deze droog komen te staan en zullen dan mogelijk moeten worden vervangen.

**ZORG ERVOOR** dat er altijd voldoende water in de opvangbak voor haar en vuil staat voordat u de pomp in werking zet.

Als het u niet lukt om de pomp water te laten aanzuigen, raadpleeg dan de oplossingen bij Problemen oplossen.

Zorg ervoor dat alle **aanzuig- en afvoerkleppen** open zijn voordat u de pomp in werking zet. Als u de pomp in werking zet terwijl deze kleppen gesloten zijn, kan de pomp beschadigd raken.

## ONDERHOUD

De zeefkorf in de opvangbak voor haar en vuil dient regelmatig te worden gecontroleerd.

1. Verwijder het deksel en til de zeefkorf omhoog.
2. Verwijder vuil en spoel de zeefkorf indien nodig met schoon water schoon.
3. Inspecteer het dekselrubber en smeer deze indien nodig uitsluitend met **SILICONENVET** in. Vervang het dekselrubber als het beschadigd is.
4. Plaats de zeefkorf terug.
5. Laat de pomp water aanzuigen tot de opvangbak weer met water is gevuld.
6. Leg de o-ring terug op de juiste plaats.
7. Plaats het deksel terug (**alleen met de hand aandraaien**).
8. Schakel de pomp in.

In een klimaat waar de pomp kan worden **blootgesteld aan vorst of vrieskou**, moet ervoor worden gezorgd dat de pomp tegen schade wordt beschermd.

Als de pomp 's winters niet wordt gebruikt, wordt aangeraden de pomp **volledig leeg te laten lopen**.

Waterco Limited levert voor dit doeleinde aftappluggen.

Plaats de aftappluggen niet terug. Bewaar de aftappluggen op een veilige plaats tot u de pomp nodig hebt.

### **Bewaar ze bijvoorbeeld in de opvangbak voor haar en vuil.**

Berg de pomp indien mogelijk op en bewaar deze gedurende.

Wanneer u de pomp later weer in gebruik neemt, zorg er dan voor dat alle afdichtingen en o-ringen bedrijfsklaar zijn, vet ze opnieuw in (**of vervang ze**) als u de conditie ervan niet met zekerheid kunt vaststellen.

- *Controleer of de motoraandrijfas vrij kan bewegen alvorens de pomp weer in gebruik te nemen.*

## WATERTEMPERATUUR

De toegestane watertemperatuur is meer dan **0°C en minder dan 45°C**. De pomp mag nooit worden gebruikt buiten dit temperatuurbereik anders kan deze beschadigd raken.

## ONDERHOUD DOOR TECHNICUS

Als het nodig is of als u de Waterco Limited-pomp zelf niet kunt onderhouden, neemt u dan altijd contact op met **uw geautoriseerde Waterco Limited-servicemedewerker** voor advies of onderhoud bij u ter plaatse.

- *Gebruik altijd authentieke Waterco Limited-vervangingsonderdelen wanneer u onderhoud aan de pomp uitvoert.*

## WAARSCHUWINGEN VOOR INSTALLATIE- EN MONTAGETAKEN

1. Wanneer u elektrische kabels aansluit op de motor van de pomp, dient u erop te letten dat u die op de juiste wijze ordent in de aansluitingskast, en dat er geen stukjes kabel in de kast achterblijven wanneer u die sluit. **Controleer of de aardingsdraad juist is aangesloten.** Volg het bedradingsdiagram dat bij de pomp is meegeleverd voor het aansluiten van de motor.
2. Let er met name **op dat er geen water in de motor of elektrische onderdelen komt die onder spanning staan.**
3. Als het geplande gebruik afwijkt van de specificaties, zijn mogelijk aanpassingen en aanvullende technische ingrepen noodzakelijk.

### • WAARSCHUWINGEN BIJ HET OPSTARTEN

Controleer voordat u de pomp in gebruik neemt de kalibratie van de elektrische beveiligingsvoorzieningen van de motor en of de beveiliging tegen elektrische en mechanische contacten juist zijn geplaatst en aangesloten.

## WAARSCHUWINGEN VOOR MONTAGE - EN ONDERHOUDSTAKEN

1. **Let er met name op dat er geen water in de motor of de elektrische onderdelen komt die onder spanning staan.**
2. Vermijd alle contact, ook per ongeluk, met bewegende delen van de pomp.
3. Wacht tot de pomp volledig is gestopt alvorens iets met de pomp te doen.
4. **Zorg er voordat u elektrische of mechanische onderhoudstaken verricht voor dat de machine is losgekoppeld van de netspanning en dat startinrichtingen zijn vergrendeld.**
5. Het is raadzaam de stappen te volgen die hieronder staan vermeld alvorens iets met de pomp te doen.
  - a) Schakel de spanning naar de pomp uit.
  - b) Vergrendel startinrichtingen.
  - c) Controleer of er geen spanning op de stroomkringen staat, ook niet op randapparatuur en hulpstroomkringen.
  - d) Wacht tot de motor volledig is gestopt.

**De bovenstaande lijst moet worden beschouwd als richtlijn en is geen bindende lijst voor veiligheidsdoelstellingen; in bepaalde situaties kunnen specifieke veiligheidsregels van kracht zijn.**

### Controleer regelmatig het volgende:

1. De juiste bevestiging van de mechanische onderdelen en van de gewichtdragende schroeven van de pomp.
2. De juiste plaatsing, bevestiging en conditie van de voedingskabels en isolatie-onderdelen.
3. De temperatuur van de motor. Stop de machine onmiddellijk in geval van onregelmatigheden en laat de machine repareren.
4. De trilling van de pomp. Stop de machine onmiddellijk in geval van onregelmatigheden en laat de machine repareren.

Vanwege de complexiteit van bepaalde storingen, hebben de instructies voor installatie, gebruik en onderhoud die in deze gebruikershandleiding staan vermeld in geen geval betrekking op alle mogelijke en denkbare onderhoudsscenario's. Als er aanvullende instructies nodig zijn of als er zich bijzondere problemen voordoen, aarzel dan niet om contact op te nemen met de distributeur of om rechtstreeks contact op te nemen met de fabrikant van de pomp.

## PROBLEMEN OPlossen

SYMPTOMEN	MOGELIJKE OORZAAK	ACTIE
1. POMP ZUIGT GEEN WATER AAN	Luchttek in de aanzuiging  Geen water in de pomp Gesloten kleppen of verstopte leidingen	Zorg voor het juiste waterniveau bij de aanzuigpunten. Zorg dat er zich geen vuil in de zeefkorf bevindt. Draai alle fittingen/koppelstukken aan de aanzuigende kant van de pomp aan. Verwijder en vervang mechanische afsluitingen.  Zorg dat de opvangbak voor haar en vuil volledig is gevuld met water.  Open alle kleppen in het systeem, reinig de skimmer en zeefkorf, controleer de waaier van de pomp op blokkades.
2. MOTOR WIL NIET DRAAIEN	Geen stroomtoevoer naar motor  Pomp vastgelopen	Controleer of alle elektrische schakelaars aan zijn. Controleer of de zekeringen goed zijn ingesteld. Controleer of de timer goed is ingesteld. Controleer de bedrading van de motor bij de aansluitpunten.  Zet de netspanning uit en draai aan de aandrijfs van de pomp (moet vrij kunnen draaien). Neem anders contact op met een elektricien of het dichtstbijzijnde Waterco Limited-filiaal voor onderhoud door een technicus.
3. TRAGE DOORSTROMING	Vuil filter Vuile skimmer en pompzeef Luchttek in de aanzuiging Gesloten klep of verstopte leiding	Spoel cartridge af of maak deze schoon. Maak skimmer en pompzeef schoon. Zie 1. Zie 1.
4. MOTOR IS HEET	Lage of onjuiste stroomspanning  Geïnstalleerd in direct zonlicht Slechte ventilatie	Stroomtoevoer laten verhelpen door elektricien. Motoren zijn bij gebruik altijd warm, dat is normaal. De thermische overbelastingsschakelaar zal de motor uitzetten als er een overbelasting plaatsvindt of de temperatuur te hoog is. De koelventilator voor de pompmotor moet aan alle kanten een minimale vrije ruimte hebben van 150 mm.  Scherm af van het weer. Dek de motor niet af en bouw de motor niet in.
5. POMP MAAKT VEEL LAWAAI	Probleem met kogellagers Luchttek in aanzuiging Aanzuiging geblokkeerd Vreemd voorwerp in waaier Cavities	Laat deze vervangen door een elektricien. Zie 1. Zoek de blokkade op en verhelp deze.  Demonteer de pomp en verwijder voorwerp en vuil rond de waaier.  Verbeter de aanzuiging, verklein hoogteverschillen, verklein het aantal koppelstukken, gebruik leidingen met een grotere doorsnede, verhoog de afvoerdruk en verlaag de doorstroming door de afvoerlep te smoren.
6. MOTOR OVERBELAST EN UITGEVALLEN	Motor niet goed aangesloten  Lage ingangsspanning  Overbelasting als gevolg van binding in de pomp of een waaier met verkeerde afmetingen	Laat een elektricien de bedrading controleren.  Laat een elektricien de spanning controleren. Zorg dat de pomp niet op een verlengsnoer is aangesloten. Meld de lage spanning aan de autoriteiten.  Neem contact op met Waterco Limited voor onderhoud door een medewerker.

**Waarschuwing:** Als de Waterco Limited-pomp zich binnen de aangegeven garantieperiode bevindt en u met een storing te maken krijgt, neem dan contact met uw leverancier of het dichtstbijzijnde Waterco Limited-filiaal voor advies. Als u dit niet doet, kan het zijn dat de garantie komt te vervallen.

Al het elektrawerk moet worden uitgevoerd door een erkend elektricien; onder geen enkele voorwaarde mag u zelf proberen reparaties uit te voeren aan de elektrische onderdelen van Waterco Limited-pompen, tenzij u voldoende gekwalificeerd bent.

# Índice

REGRAS DE SEGURANÇA GERAIS .....	35
LOCALIZAÇÃO .....	36
INSTALAÇÃO .....	36
LIGAÇÃO ELÉTRICA .....	37
MOTOR TRIFÁSICO .....	37
DIAGRAMA DE CABLAGEM .....	38
FERRAGEM .....	38
MANUTENÇÃO .....	39
TEMPERATURA DO FLUIDO .....	39
SERVIÇO .....	39
AVISOS RELATIVOS ÀS OPERAÇÕES DE INSTALAÇÃO E MONTAGEM .....	40
AVISOS RELATIVOS ÀS OPERAÇÕES DE MONTAGEM E MANUTENÇÃO .....	40
RESOLUÇÃO DE PROBLEMAS .....	41

## REGRAS DE SEGURANÇA GERAIS

1. As máquinas referidas no manual foram especificamente concebidas para pré-filtragem e recirculação de água em piscinas.
2. Foram concebidas para funcionar com água limpa a uma temperatura que não deve exceder os **45 graus Celsius (113 graus Fahrenheit)**.
3. A instalação deve ser realizada de acordo com as instruções de segurança para piscinas, sobretudo em conformidade com a norma HD 60364-7-702, e com as instruções específicas para cada instalação.
4. As regras aplicáveis na prevenção de acidentes devem ser cumpridas rigorosamente.
5. Qualquer modificação à bomba requer a **autorização prévia do fabricante**. As peças e acessórios sobresselentes originais autorizados pelo fabricante garantem um elevado nível de segurança. O fabricante da bomba não assume qualquer tipo de responsabilidade por danos e ferimentos **provocados por peças e acessórios sobresselentes não autorizados**.
6. Durante o funcionamento, algumas peças da bomba encontram-se sob tensão elétrica perigosa. Apenas é possível realizar trabalhos na bomba ou no equipamento ligado à mesma depois de **os desligar da alimentação elétrica e de desligar o dispositivo de arranque**.
7. O utilizador deve certificar-se de que as tarefas de montagem e manutenção são realizadas por **pessoas qualificadas e autorizadas** e de que essas pessoas leem as instruções de serviço e instalação.
8. A segurança operacional da bomba apenas é garantida se as instruções de instalação e serviço forem devidamente cumpridas.
9. Os valores limite estabelecidos na ficha técnica **não devem ser excedidos em caso algum**.
10. Em caso de problemas de funcionamento ou avarias, contacte o departamento de apoio técnico do fabricante ou dos agentes autorizados mais próximos.
11. Se o cabo de alimentação estiver danificado, deve ser substituído por um agente de serviço autorizado.
12. O aparelho não se destina a utilização por pessoas (e crianças) com capacidades físicas, sensoriais ou mentais reduzidas ou falta de experiência e conhecimento, a menos que estejam sob supervisão ou tenham recebido instruções relativas à utilização do aparelho, de uma pessoa responsável pela sua segurança, e compreendam os perigos envolvidos.
13. Este aparelho não deve ser utilizado por crianças pequenas. As crianças devem ser supervisionadas, de modo a garantir que não brincam com o aparelho.
14. Todos os trabalhos na cablagem (elétrica) devem ser realizados por eletricistas qualificados e de acordo com as normas locais.
15. Se a bomba se destinar a ser instalada numa piscina ou num lago, é obrigatória a instalação de um disjuntor de fuga para a terra com uma corrente de corte nominal não superior a 30 mA.
16. Desligue sempre o aparelho da alimentação elétrica antes de o montar, desmontar ou limpar.
17. Em condições de gelo, a água deve ser completamente drenada do corpo da bomba abrindo os bujões de purga no corpo da bomba.

### **Para utilização na Europa:**

1. Este aparelho não se destina a utilização por pessoas (e crianças com idade igual ou superior a 8 anos) com capacidades físicas, sensoriais ou mentais reduzidas ou falta de experiência e conhecimento, a menos que estejam sob supervisão ou tenham recebido instruções relativas à utilização do aparelho, de uma pessoa responsável pela sua segurança.
2. As crianças devem ser supervisionadas, de modo a garantir que não brincam com o aparelho.
3. A limpeza e a manutenção por parte do utilizador não devem ser feitas por crianças sem supervisão.

## **~ AVISO IMPORTANTE SOBRE ELETRICIDADE ~**

**A instalação elétrica deve ser realizada por um electricista qualificado.**

*Cada bomba requer um disjuntor para separar a bomba da alimentação elétrica.*

*A distância de contacto deve permitir um corte total em todos os polos, nas condições da categoria III de sobretensão.*

*Caso a bomba seja instalada numa piscina ou lago, é **OBRIGATÓRIA** a instalação de um disjuntor de fuga a terra com uma corrente de corte nominal não superior a **30 mA**.*

*Na placa de identificação das bombas, confirme os seguintes dados: tensão, consumo de corrente e ciclo.*

*O cabo de alimentação, incluindo o fio de terra, deve estar em conformidade com a norma **60245 IEC 66 (H07RN-F)** para modelos com uma entrada de potência superior a **1 kW**.*

*Os modelos com uma potência inferior a **1 kW** devem estar em conformidade com a norma **60245 IEC 57 (H05RN-F)**.*

*Todas as instalações devem cumprir as normas locais, com base nos requisitos da norma **IEC 60364-7-702**.*

## **LOCALIZAÇÃO**

A bomba deve ser colocada no ponto mais próximo da piscina em que a sua utilização seja prática. Deve também estar numa posição que permita um acesso fácil para a realização das operações de serviço periódicas.

Deve ainda ter-se o cuidado de colocar a bomba numa área seca e ventilada, onde não exista risco de inundações (a ventoinha de refrigeração do motor da bomba tem de ter uma folga mínima de 150 mm).

## **INSTALAÇÃO**

A Waterco Limited recorre a tecnologias de ponta para a conceção e fabrico das bombas que produz, pelo que bastam algumas precauções simples durante a instalação para garantir um funcionamento sem problemas durante um longo período de tempo.

1. O tubo de sucção da bomba não deve ser inferior a 40 mm (1 1/2").
2. O tubo de sucção deve ter o mínimo possível de curvas ou cantos. O tubo de sucção não deverá ter um reservatório de ar.
3. Utilize apenas as uniões fornecidas com a bomba.
4. Fixe a bomba na posição pretendida (de forma a impedir o movimento).
5. O cabo elétrico da bomba deve ter a tensão e rotação corretas, de acordo com as instruções da cablagem.
6. Todos os trabalhos na cablagem (elétrica) devem ser realizados por electricistas qualificados e de acordo com as normas locais.
7. O motor tem de estar ligado à terra.
8. O peso da canalização e das ligações deve ser suportado de modo independente e não pela bomba.
9. A ventoinha de refrigeração do motor da bomba deve ter uma folga mínima de 150 mm.



## LIGAÇÃO ELÉTRICA

Confirme se as informações constantes na placa de identificação correspondem à alimentação elétrica.

Recorra a um electricista qualificado, para garantir que a instalação elétrica é efetuada de acordo com todos os regulamentos nacionais/locais no país em que a bomba está instalada. O regulamento nacional de instalação elétrica na Austrália e na Nova Zelândia é o AS/NZS 3000.

O **MOTOR TRIFÁSICO** não inclui uma proteção térmica interna e necessita de **um interruptor de desativação de fusíveis ou de um disjuntor**.

Instale e prepare os dispositivos de segurança de acordo com a corrente indicada na placa de identificação.

OS **MOTORES MONOFÁSICOS** possuem um interruptor contra sobrecargas térmicas incorporado.

## MOTOR TRIFÁSICO

OS **MOTORES TRIFÁSICOS** requerem um interruptor de arranque ou um motor de arranque magnético, com a devida proteção contra sobrecargas, além do interruptor de desativação de fusíveis.

### VERIFIQUE A ROTAÇÃO DOS MOTORES TRIFÁSICOS.

O motor apenas é adequado para funcionamento no sentido dos ponteiros do relógio quando visto do lado da tampa (cobertura) da ventoinha da extremidade do motor.

**Os motores trifásicos podem rodar em qualquer direção.** Alterar quaisquer dois fios do cabo num motor trifásico inverte a direção de rotação. Para verificar a rotação do motor, ligue-o durante aproximadamente 1 segundo. Se o motor estiver a funcionar no sentido incorreto, desligue a alimentação, troque dois fios e repita o passo acima para efetuar a verificação.

Ao instalar bombas trifásicas, deve estar disponível um dispositivo separado para instalação permanente, para que seja possível isolar a bomba da alimentação elétrica. **É necessária uma distância de contacto de 3 mm por polo, tanto para as unidades trifásicas como monofásicas.**

A proteção do motor a instalar TEM de corresponder à corrente nominal do motor. **CONSULTE O VALOR NA PLACA DE CLASSIFICAÇÃO.**

É da **RESPONSABILIDADE** do utilizador garantir uma proteção adequada entre o motor e a fonte de alimentação.

O instalador deve proteger as três fases de alimentação do motor, para que a bomba não funcione apenas com uma ou duas fases.

### **⚠ ATENÇÃO**

*Antes de desligar as ligações elétricas, desligue a alimentação na fonte:*

**EXEMPLO:** No quadro de fusíveis ou disjuntores. Antes de realizar qualquer tipo de trabalho na bomba, confirme se o interruptor da bomba ou os temporizadores estão desligados e **CERTIFIQUE-SE DE QUE A ALIMENTAÇÃO ELÉTRICA ESTÁ DESLIGADA.**

## DIAGRAMA DE CABLAGEM

### • MONOFÁSICO



Azul = Neutro  
Castanho = Sob tensão  
Verde e amarelo = terra  
Verde com riscas amarela  
= terra (Reino Unido/UE)

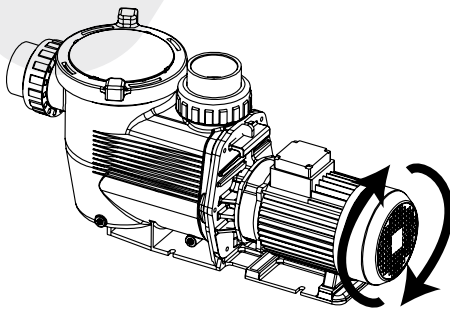
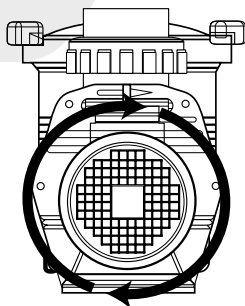
### • TRIFÁSICO



Preto = L3  
Azul = L2  
Castanho = L1  
Verde/Amarelo = Terra

**Nota:** A configuração das ligações elétricas pode variar em diferentes países, devendo os instaladores assegurar a conformidade com os regulamentos e as normas relevantes.

### • ROTAÇÃO DA BOMBA TRIFÁSICA



ROTAÇÃO NO SENTIDO DOS PONTEIROS DO RELÓGIO

## FERRAGEM

**A bomba da Waterco Limited realiza o processo de ferragem e reinicia o processo, desde que o recipiente de recolha de cabelos e resíduos esteja cheio de água e que o débito do ponto de sucção seja suficiente.**

Se ocorrer perda de água no recipiente, será necessário voltar a enchê-lo antes de começar.

1. Retire a tampa e encha o recipiente com água.
2. Volte a colocar a tampa, certificando-se de que o **O-ring está na posição correta**, e ligue a bomba.

Depois desta operação, aguarde **alguns minutos (no máximo)** até a bomba começar a fornecer água.

### **⚠ ATENÇÃO**

*A ferragem de tubos de elevação por sucção altos ou tubos de sucção longos requer mais tempo, o que pode afetar seriamente o desempenho da bomba. Se a bomba não iniciar o processo de ferragem (débito), repita os passos 1 e 2 acima.*

### **⚠ ATENÇÃO**

*Se os vedantes mecânicos funcionarem a seco podem sofrer danos rapidamente e necessitar de substituição.*

**CERTIFIQUE-SE** de que existe sempre um nível de água suficiente no recipiente de cabelos e resíduos antes de colocar a bomba em funcionamento.

*Se não for possível iniciar a ferragem da bomba, consulte o guia de resolução de problemas..*

*Certifique-se de que todas as válvulas **de sucção e descarga** estão abertas antes de ligar a bomba, uma vez que a utilização da bomba com estas válvulas fechadas pode danificar a bomba.*

## MANUTENÇÃO

O cesto do filtro no recipiente de cabelos e resíduos deve ser inspecionado e limpo regularmente.

1. Retire a tampa e extraia o cesto.
2. Retire os resíduos e, utilizando uma mangueira, lave com água limpa, se necessário.
3. Inspeccione o vedante da tampa e, apenas se necessário, lubrifique com massa lubrificante à base de **SILICONE**. Se estiver danificado, substitua-o.
4. Substitua o filtro.
5. Volte a ferrar o recipiente de cabelos e resíduos.
6. Coloque o O-ring na posição correta.
7. Substitua apenas a tampa (**aperte manualmente**).
8. Ligue a bomba.

Em condições climáticas em que a bomba possa estar **exposta a geada ou gelo**, deve tomar-se o cuidado de proteger a bomba de danos.

Caso a bomba não seja utilizada durante os meses de inverno, recomenda-se que seja **totalmente drenada**.

A Waterco Limited fornece bujões de purga para este efeito.

Não substitua o bujão de purga. Guarde-o num local seguro, até necessitar de voltar a utilizar a bomba.

**Por exemplo, dentro do cesto do recipiente de cabelos e resíduos.**

Se possível, retire a bomba e guarde-a num local seco durante o período em que não for utilizada.

Quando voltar a utilizar a bomba, certifique-se de que todos os vedantes e O-rings estão em condições operacionais e, se necessário, volte a lubrificá-los (**ou substitua-os**) caso não tenha a certeza do seu estado.

• *Antes de voltar a colocar a bomba em funcionamento verifique se o veio do motor se movimenta livremente..*

## TEMPERATURA DO FLUIDO

A temperatura permitida é de **> a 0 °C e < a 45 °C**. A bomba nunca deve ser utilizada fora deste intervalo de temperaturas, uma vez que tal pode provocar danos.

## SERVIÇO

Caso seja necessário ou não consiga realizar o serviço da bomba, contacte sempre o seu **agente autorizado Waterco Limited Service** para obter ajuda ou realizar o serviço no local.

• *Utilize sempre peças sobresselentes originais Waterco Limited para realizar a manutenção da bomba.*

## AVISOS RELATIVOS ÀS OPERAÇÕES DE INSTALAÇÃO E MONTAGEM

1. Quando ligar os cabos elétricos ao motor da bomba, deve ter o cuidado de os organizar devidamente dentro da caixa de ligações e de se certificar de que não ficam pedaços de cabo no interior da caixa quando a fechar. **Confirme se o fio de terra está devidamente ligado.** Ao ligar o motor, siga o diagrama da cablagem fornecido com a bomba.
2. Tenha cuidado especial **para garantir que não entra água no motor nem nas peças elétricas sob tensão.**
3. Caso a utilização prevista não seja a especificada, poderão ser necessárias adaptações e especificações técnicas adicionais.

### • AVISOS RELATIVOS AO ARRANQUE

*Antes de ligar a bomba, verifique a calibração dos dispositivos de proteção elétrica do motor e se as proteções contra contactos elétricos e mecânicos estão devidamente posicionadas e ligadas.*

## AVISOS RELATIVOS ÀS OPERAÇÕES DE MONTAGEM E MANUTENÇÃO

1. **Tenha cuidado especial para garantir que não entra água no motor nem nas peças elétricas sob tensão.**
2. Evite todos os contactos, mesmo acidentais, com as peças em movimento da bomba.
3. Aguarde até a bomba parar completamente, antes de a manusear de qualquer forma.
4. **Antes de realizar operações de manutenção elétrica ou mecânica, certifique-se de que a máquina foi desligada da alimentação elétrica e de que os dispositivos de arranque foram bloqueados.**
5. É aconselhável seguir os passos abaixo antes de realizar qualquer operação na bomba.
  - a) Desligue a tensão para a bomba.
  - b) Bloqueie os dispositivos de arranque.
  - c) Confirme que não existe tensão nos circuitos, incluindo nos dispositivos acessórios e nos circuitos auxiliares.
  - d) Aguarde até o motor parar completamente.

**A lista acima é apenas indicativa e não vinculativa para fins de segurança; em determinados regulamentos poderão existir regras de segurança específicas.**

### Verifique regularmente:

1. As ligações corretas das peças mecânicas e dos parafusos de suporte da bomba.
2. A correção do posicionamento, ligação e estado dos cabos de alimentação e das peças de isolamento.
3. A temperatura do motor. Caso exista qualquer irregularidade, desligue imediatamente a máquina e repare-a.
4. A vibração da bomba. Em caso de qualquer irregularidade, desligue imediatamente a máquina e repare-a.

Devido à complexidade dos casos abrangidos, as instruções de instalação, utilização e manutenção constantes neste manual não procuram analisar todos os cenários possíveis e imaginários de serviço e manutenção. Caso sejam necessárias instruções suplementares ou em caso de problemas especiais, não hesite em contactar diretamente o distribuidor ou o fabricante da bomba.

# RESOLUÇÃO DE PROBLEMAS

SINTOMAS	CAUSA POSSÍVEL	AÇÃO
1. A FERRAGEM DA BOMBA NÃO SE ESTÁ A VERIFICAR	Fuga de ar de sucção  Não existe água na bomba Válvulas fechadas ou tubos obstruídos	Certifique-se de que o nível de água é suficiente nos pontos de sucção. Certifique-se de que os cestos e os filtros estão livres de resíduos. Aperte todas as ligações/unhões do lado de sucção da bomba, retire e substitua o vedante mecânico.  Certifique-se de que o recipiente de cabelos e resíduos está cheio.  Abra todas as válvulas do sistema, limpe o cesto do separador e da bomba; verifique se o rotor da bomba está obstruído.
2. O MOTOR NÃO FUNCIONA	Não existe alimentação para o motor  Bomba encravada	Verifique se todos os interruptores elétricos estão ligados. Confirme se todos os disjuntores estão devidamente configurados. Verifique se o temporizador está devidamente configurado. Verifique a cablagem do motor nos terminais.  Com a alimentação elétrica desligada, rode o veio da bomba (deve rodar livremente). Caso contrário, contacte um electricista ou a filial mais próxima da Waterco Limited.
3. DÉBITO REDUZIDO	Filtro sujo Separador e filtro da bomba sujos Fuga de ar de sucção Válvula fechada ou tubo obstruído	Lave ou limpe o cartucho. Limpe o separador e o filtro da bomba. Consulte 1. Consulte 1.
4. O MOTOR AQUECE	Tensão baixa ou incorreta  Instalado sob incidência direta de luz solar Ventilação fraca	A alimentação deve ser corrigida por um electricista. Os motores parecem quentes ao toque, o que é normal. A proteção contra sobrecargas térmicas funciona para os desligar em caso de sobrecargas ou problemas de temperatura elevada. A ventoinha de refrigeração do motor da bomba deve ter uma folga mínima de 150 mm.  Proteja das condições climáticas. Não tape nem feche excessivamente o motor.
5. FUNCIONAMENTO RUIDOSO DA BOMBA	Rolamento danificado Fuga de ar na sucção Obstrução na sucção Substâncias estranhas no rotor  Cavitação	Solicite a substituição a um electricista. Consulte 1.  Localize e elimine a obstrução.  Desmonte a bomba e retire as substâncias estranhas e resíduos à volta do rotor.  Melhore a sucção, reduza a elevação da sucção, reduza o número de ligações, aumente a dimensão do tubo, aumente a pressão de descarga e reduza o débito através de uma válvula de descarga de estrangulamento.
6. O MOTOR DISPARA DEVIDO A SOBRECARGA	O motor não está devidamente ligado Baixa tensão de entrada  Sobrecarga devido a gripagem na bomba ou rotor de tamanho incorreto	Solicite a um electricista que verifique a cablagem. Solicite a um electricista que verifique a tensão; certifique-se de que a bomba não está a funcionar com um cabo de extensão. Comunique a baixa tensão às autoridades.  Contacte a Waterco Limited para solicitar a realização de trabalhos de manutenção.

**Aviso:** Caso a bomba da Waterco Limited se encontre dentro do prazo da garantia e ocorra alguma avaria, deve contactar o seu fornecedor ou a filial mais próxima da Waterco Limited para obter informações. Caso não o faça, a garantia poderá ser anulada. Consulte a documentação da garantia fornecida com a bomba.

Todos os trabalhos elétricos devem ser realizados por um electricista qualificado. Não deve, em circunstância alguma, tentar reparar os componentes elétricos das bombas Waterco Limited, a menos que esteja devidamente qualificado.

# Sommario

NORME DI SICUREZZA GENERALI .....	43
POSIZIONAMENTO .....	44
INSTALLAZIONE .....	44
COLLEGAMENTI ELETTRICI .....	45
TMOTORE TRIFASE .....	45
SCHEMA DI CABLAGGIO .....	46
ADESCAMENTO .....	46
MANUTENZIONE .....	47
TEMPERATURA DEL LIQUIDO .....	47
ASSISTENZA .....	47
AVVERTENZE SULLE OPERAZIONI DI INSTALLAZIONE E ASSEMBLAGGIO .....	48
AVVERTENZE SULLE OPERAZIONI DI ASSEMBLAGGIO E MANUTENZIONE .....	48
RISOLUZIONE DEI PROBLEMI .....	49

## NORME DI SICUREZZA GENERALI

1. Gli apparecchi descritti nel manuale sono stati progettati specificamente per la prefiltrazione e il ricircolo dell'acqua delle piscine.
2. Sono stati progettati per l'utilizzo con acqua pulita e a una temperatura non superiore a **45° Celsius (113° Fahrenheit)**.
3. Eseguire l'installazione in conformità alle istruzioni di sicurezza delle piscine, in particolare alla norma HD 60364-7-702 e alle istruzioni specifiche di ogni impianto.
4. Le norme antinfortunistiche in vigore devono essere rispettate e seguite con la massima attenzione.
5. Qualsiasi modifica da apportare alla pompa deve essere **precedentemente approvata dal produttore**. L'uso di ricambi originali e di accessori autorizzati dal produttore permette di ottenere un alto livello di sicurezza. Il produttore della pompa non si assume alcuna responsabilità per eventuali danni o lesioni **causati da ricambi e accessori non autorizzati**.
6. Durante il funzionamento, alcune parti della pompa sono sottoposte a livelli di tensione elettrica pericolosi. Qualsiasi intervento su una pompa o sugli apparecchi a essa collegati deve essere eseguito unicamente dopo averli **scollegati dall'alimentazione di rete e dopo aver scollegato il dispositivo di avviamento**.
7. L'utente deve verificare che gli interventi di assemblaggio e manutenzione vengano eseguiti da **operatori qualificati e autorizzati**, e che gli operatori abbiano prima letto con attenzione le istruzioni di installazione e manutenzione.
8. Per garantire la sicurezza della pompa quando è in funzione, è necessario seguire correttamente le istruzioni di installazione e manutenzione.
9. I valori limite riportati nella tabella dei dati tecnici **non devono essere mai superati**.
10. In presenza di guasti o difetti, contattare il reparto per l'assistenza tecnica del produttore o il operatore autorizzato più vicino.
11. Se il cavo di alimentazione risulta danneggiato, chiedere a un operatore del servizio d'assistenza autorizzato di sostituirlo.
12. L'apparecchio non è stato pensato per essere utilizzato da persone (compresi i bambini) con ridotte capacità fisiche, sensoriali o mentali, o sprovviste dell'esperienza e delle conoscenze necessarie, a meno che non siano sotto la supervisione di un terzo responsabile della loro sicurezza o abbiano ricevuto da lui istruzioni su come utilizzare l'apparecchio.
13. Questo apparecchio non è stato pensato per essere utilizzato da bambini piccoli, che devono essere sempre tenuti sotto controllo per evitare che possano giocare con l'apparecchio.
14. Tutte le operazioni di cablaggio elettrico devono essere eseguite da elettricisti autorizzati e l'installazione deve avvenire in conformità con le normative in vigore a livello locale.
15. Se la pompa viene installata in una piscina o in presenza di acqua, è obbligatorio installare un interruttore automatico differenziale con una corrente di intervento nominale non superiore a 30 mA.
16. Prima di montarlo, smontarlo o pulirlo scollegare sempre l'apparecchio dall'alimentazione.
17. In caso di congelamento, l'acqua deve essere scaricata completamente dal corpo della pompa aprendo i relativi tappi di scarico.

### **Per l'uso in Europa:**

1. Questo apparecchio non è stato pensato per essere utilizzato da persone (compresi i bambini dagli 8 anni in su) con ridotte capacità fisiche, sensoriali o mentali, o sprovviste dell'esperienza e delle conoscenze necessarie, a meno che non siano sotto la supervisione di un terzo responsabile della loro sicurezza o abbiano ricevuto da lui istruzioni su come utilizzare l'apparecchio.
2. I bambini devono essere sempre tenuti sotto controllo per evitare che possano giocare con l'apparecchio.
3. La pulizia e la manutenzione da parte dell'utente non devono essere effettuate da bambini senza supervisione.

## ~ ~ **AVVISO IMPORTANTE SULL'IMPIANTO ELETTRICO** ~ ~

**L'installazione dell'impianto elettrico deve essere eseguita da un elettricista autorizzato.**

Ogni pompa deve disporre di un interruttore automatico in grado di separare la pompa dall'alimentazione elettrica.

La separazione dei contatti deve garantire un'interruzione completa in tutti i poli in condizioni di sovratensione di categoria III.

Se la pompa viene installata in una piscina o in presenza di acqua, è **OBBLIGATORIO** installare un interruttore automatico differenziale con una corrente di intervento nominale non superiore a **30 mA**.

Controllare nella targhetta di identificazione della pompa i dati seguenti: tensione, amperaggio e ciclo.

Il cavo di alimentazione, filo di terra incluso, deve avere una qualità conforme alla norma **60245 IEC 66 (H07RN-F)** per i modelli con potenza d'ingresso **superiore a 1 kW**.

Per i modelli con potenza assorbita inferiore a **1 kW** le caratteristiche saranno quelle previste dalla norma **60245 IEC 57 (H05RN-F)**.

Tutte le installazioni devono essere conformi con le normative in vigore a livello locale, sulla base dei requisiti di **IEC 60364-7-702**.

## POSIZIONAMENTO

La pompa va posizionata il più vicino possibile alla piscina, per ragioni di praticità. Inoltre l'installazione deve avvenire in una posizione che permetta di raggiungere la pompa facilmente per effettuare la manutenzione periodica.

Verificare che la pompa sia posizionata in un'area che non possa allagarsi e che sia asciutta e ben ventilata (la ventola di raffreddamento del motore della pompa deve avere uno spazio libero di almeno 150 mm).

## INSTALLAZIONE

Waterco Limited si avvale delle tecnologie più avanzate per la progettazione e la produzione delle sue pompe. Il rispetto di alcune semplici precauzioni durante l'installazione sarà sufficiente a garantire un funzionamento senza inconvenienti per diversi anni.

1. La condotta di aspirazione della pompa non deve essere inferiore a 40 mm (1 1/2").
2. La condotta di aspirazione deve avere il minor numero possibile di punti di curvatura o di gomiti. Inoltre, non deve essere presente alcuna sacca d'aria nella condotta di aspirazione.
3. Utilizzare unicamente i raccordi cilindrici forniti in dotazione con la pompa.
4. Fissare la pompa nella posizione richiesta e impedire che si muova.
5. Il cavo elettrico della pompa deve essere collegato in modo da assicurare la rotazione e la tensione necessarie, nel rispetto delle istruzioni di cablaggio.
6. Tutte le operazioni di cablaggio elettrico devono essere eseguite da elettricisti autorizzati e l'installazione deve avvenire in conformità con le normative in vigore a livello locale.
7. Il motore deve disporre di un'adeguata messa a terra.
8. Il peso delle condutture e dei raccordi deve essere sostenuto in maniera autonoma, senza essere a carico della pompa.
9. La ventola di raffreddamento del motore della pompa deve avere uno spazio libero di almeno 150 mm.



## COLLEGAMENTI ELETTRICI

Verificare che le informazioni riportate nella targhetta di identificazione corrispondano all'alimentazione elettrica effettiva.

Rivolgersi a un elettricista competente in modo che l'installazione del cablaggio sia effettuata in conformità alle norme locali/nazionali del Paese in cui viene installata la pompa. Le normative nazionali sui cablaggi in Australia e Nuova Zelanda sono AS/NZS 3000.

**IL MOTORE TRIFASE** non è dotato di protezione termica interna e richiede **un sezionatore con fusibile o un interruttore automatico**.

Installare e impostare i dispositivi di sicurezza in base alla corrente indicata nella targhetta.

**IL MOTORE MONOFASE** ha un interruttore per sovraccarico termico integrato.

## MOTORE TRIFASE

**IL MOTORE TRIFASE** deve essere dotato di un interruttore di avviamento o di un dispositivo di avviamento magnetico con protezione da sovraccarico correttamente dimensionata, oltre al sezionatore con fusibile.

### CONTROLLARE LA ROTAZIONE DEL MOTORE TRIFASE.

Il motore è adatto unicamente a una rotazione in senso orario, guardandolo dal lato del carter della ventola motore.

**Il motore trifase potrebbe ruotare in entrambe le direzioni.** Sostituire due fili nel sistema di cablaggio di un motore trifase ha come conseguenza l'inversione del senso di rotazione. Per verificare la rotazione del motore, è sufficiente accenderlo per circa 1 secondo. Se si muove nella direzione errata, interrompere l'alimentazione e scambiare due fili; quindi ripetere l'operazione descritta qui sopra per effettuare una nuova verifica.

Quando si installa una pompa trifase, tenere a disposizione un dispositivo separato per l'installazione permanente che permetta di isolare la pompa dall'alimentazione di rete. **Sia per le unità monofase sia per quelle trifase, è richiesta un'apertura tra i contatti di 3 mm per polo.**

L'installazione della protezione del motore DEVE avvenire in modo tale da corrispondere alla corrente nominale del motore stesso. **FARE RIFERIMENTO ALLA TARGHETTA DEI DATI.**

La **RESPONSABILITÀ** di garantire che la protezione tra il motore e l'alimentazione elettrica sia adeguata ricade sull'utente.

L'installatore deve proteggere tutte le tre fasi dell'alimentazione del motore in modo tale che la pompa non possa funzionare con una o due fasi soltanto.

### **⚠ AVVERTENZA**

*Prima di disinserire i collegamenti elettrici, interrompere l'alimentazione elettrica:*

**ESEMPIO:** *Il fusibile o la scatola dell'interruttore automatico. Prima di effettuare qualsiasi operazione sulla pompa, verificare che i timer o l'interruttore della pompa siano spenti e **CONTROLLARE CHE SIA INTERROTTA ANCHE L'ALIMENTAZIONE DI RETE.***

## SCHEMA DI CABLAGGIO

### • MONOFASE



Blu = Neutro  
Marrone = Attiva  
Verde e giallo = Terra  
Verde con striscia gialla  
= Terra (GB/UE)

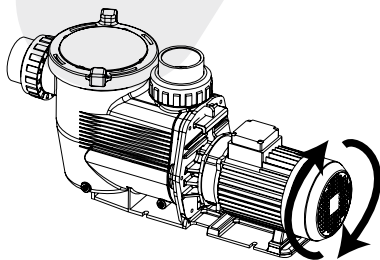
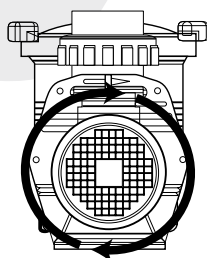
### • TRIFASE



Nero = L3  
Blu = L2  
Marrone = L1  
Giallo/Verde = Terra

**Nota:** La configurazione del cablaggio elettrico può variare a seconda dei Paesi e gli installatori devono garantirne la conformità ai regolamenti e alle normative.

### ROTAZIONE DELLA POMPA TRIFASE



ROTAZIONE IN SENSO ORARIO

## ADESCAMENTO

**La pompa Waterco Limited esegue l'adescamento più volte, se il contenitore di capelli/pelucchi è pieno d'acqua e a condizione che l'erogazione dal punto di aspirazione sia sufficiente.**

Se il contenitore di capelli/pelucchi perde acqua, è necessario riempirlo nuovamente prima di avviare la pompa.

1. Rimuovere il coperchio trasparente e riempire d'acqua il contenitore di capelli/pelucchi.
2. Chiudere nuovamente con il coperchio, verificando sempre che la **guarnizione circolare sia correttamente** posizionata, e avviare la pompa.

Al termine di questa operazione, attendere **alcuni minuti (al massimo)** prima che la pompa inizi a erogare acqua.

### **⚠ AVVERTENZA**

*In presenza di condotte di aspirazione particolarmente lunghe o con una notevole altezza di aspirazione, sarà necessario più tempo per l'adescamento, con un impatto non indifferente sulle prestazioni della pompa. Se non si riesce a eseguire l'adescamento della pompa, (portata) ripetere le operazioni 1 e 2 descritte qui sopra.*

### **⚠ AVVERTENZA**

*I dispositivi di tenuta meccanici, se azionati a secco, possono riportare danni in tempi brevi, e potrebbe essere necessario sostituirli.*

**VERIFICARE** che nel contenitore di capelli/pelucchi sia sempre presente una quantità sufficiente di acqua, prima di avviare la pompa.

*Verificare che tutte le valvole di aspirazione e scarico siano aperte, prima di avviare la pompa: metterla in funzione con le valvole chiuse potrebbe provocare danni.*

*Ensure all **suction and discharge** valves are open before you start the pump, operating the pump with these valves shut can damage the pump.*

## MANUTENZIONE

Il cestello del filtro all'interno del contenitore di capelli/pelucchi deve essere ispezionato e pulito a intervalli regolari.

1. Remove lid and lift out basket.
2. Eliminare le impurità solide, anche con un getto d'acqua pulita, se necessario.
3. Ispezionare la guarnizione del coperchio e lubrificarla con grasso a base di **SILICONE**, solo se necessario. Se risulta danneggiata, sostituirla.
4. Riposizionare il filtro.
5. Riempire nuovamente il contenitore di capelli/pelucchi.
6. Posizionare correttamente la guarnizione circolare.
7. Riposizionare soltanto il coperchio (**serrandolo a mano**).
8. Accendere la pompa.

Nei climi in cui è possibile che la pompa sia **esposta a ghiaccio o congelamento**, verificare che sia ben protetta da eventuali danni.

Si raccomanda di **scaricare completamente** la pompa nel caso in cui non venga utilizzata durante il periodo invernale.

Waterco Limited mette a disposizione tappi di scarico adatti allo scopo.

Non sostituire il tappo di scarico: conservarlo in un luogo sicuro fino a quando non sarà il momento di mettere in funzione la pompa.

**ad esempio all'interno del cestello del contenitore di capelli/pelucchi.**

Se possibile, rimuovere la pompa e conservarla in un luogo asciutto durante questo periodo.

Quando si riavvia la pompa, verificare che tutti i dispositivi di tenuta e tutte le guarnizioni circolari siano in buone condizioni di funzionamento e, eventualmente, trattare nuovamente con olio (**sostituire**), se non si è sicuri delle condizioni in cui si trovano.

- *Verificare che l'albero motore possa muoversi liberamente, prima di riavviare la pompa.*

## TEMPERATURA DEL LIQUIDO

La temperatura indicata è **> 0°C e < 45°C**. La pompa non deve mai essere attivata al di fuori di questo intervallo di temperature, per evitare danni.

## ASSISTENZA

Se necessario o se non si è in grado di effettuare la manutenzione della pompa Waterco Limited, contattare sempre il proprio **rappresentante di zona autorizzato Waterco Limited** per un consiglio o un intervento in loco.

- *Utilizzare sempre ricambi originali Waterco Limited per la manutenzione della pompa.*

## AVVERTENZE SULLE OPERAZIONI DI INSTALLAZIONE E ASSEMBLAGGIO

1. Quando si collegano i cavi elettrici al motore della pompa, sistemarli correttamente all'interno della scatola dei contatti e verificare che nessuna parte dei cavi si trovi all'interno della scatola al momento della chiusura. **Verificare che il filo di messa a terra sia collegato correttamente.** Per i collegamenti del motore, rispettare lo schema di cablaggio fornito in dotazione con la pompa.
2. Prestare particolare attenzione **affinché il motore e le parti elettriche sotto tensione non entrino in contatto con l'acqua.**
3. Se si prevede di utilizzare l'apparecchio in modo diverso da quello indicato, potrebbe essere necessario effettuare modifiche e adottare norme tecniche supplementari.

### • AVVERTENZE SULL'AVVIAMENTO DELLA POMPA

*Prima di avviare la pompa, verificare la taratura dei dispositivi di protezione elettrica del motore e controllare che le protezioni siano posizionate e fissate correttamente sui contatti elettrici e meccanici.*

## AVVERTENZE SULLE OPERAZIONI DI ASSEMBLAGGIO E MANUTENZIONE

1. **Prestare particolare attenzione affinché il motore e le parti elettriche sotto tensione non entrino in contatto con l'acqua.**
2. Evitare qualsiasi contatto, anche accidentale, con le parti in movimento della pompa.
3. Aspettare che la pompa si sia arrestata completamente, prima di intervenire in qualsiasi modo.
4. **Prima di eseguire un intervento di manutenzione meccanica o elettrica, verificare che l'apparecchio sia stato scollegato dall'alimentazione di rete e che i dispositivi di avviamento siano stati messi in blocco.**
5. Si consiglia di eseguire le operazioni elencate qui sotto, prima di intervenire sulla pompa in qualsiasi modo.
  - a) Interrompere la tensione verso la pompa.
  - b) Mettere in blocco i dispositivi di avviamento.
  - c) Verificare che il circuito, i dispositivi e i circuiti ausiliari non siano sotto tensione.
  - d) Aspettare che il motore sia completamente fermo.

**Questo elenco ha valore puramente indicativo e non è vincolante ai fini della sicurezza: determinati regolamenti possono prevedere specifiche norme sulla sicurezza.**

### Verificare a intervalli regolari:

1. La corretta installazione delle parti meccaniche e delle viti di supporto della pompa.
2. Il corretto posizionamento, la corretta installazione e le condizioni dei cavi di alimentazione e delle parti isolanti.
3. La temperatura del motore. In caso di anomalia, arrestare immediatamente l'apparecchio e farlo riparare.
4. La vibrazione della pompa. In caso di anomalia, arrestare immediatamente l'apparecchio e farlo riparare.

In ragione della complessità dei casi trattati in questa sede, le istruzioni di installazione, uso e manutenzione contenute nel presente manuale non si prefiggono di prendere in esame ogni possibile intervento di assistenza e manutenzione. Nel caso in cui siano necessarie istruzioni supplementari o si verificino problemi particolari, contattare subito il distributore o rivolgersi direttamente al produttore della pompa.

## RISOLUZIONE DEI PROBLEMI

SINTOMI	PROBABILE CAUSA	INTERVENTO
1. MANCATO ADESCAMENTO DELLA POMPA	Perdita d'aria in aspirazione  Assenza di acqua nella pompa Valvole chiuse o condotte intasate	Controllare che il livello dell'acqua sia corretto nei punti di aspirazione. Verificare che cestelli e filtri siano privi di impurità solide. Serrare tutti i raccordi e gli elementi di fissaggio sul lato di aspirazione della pompa, rimuovere e sostituire i dispositivi di tenuta meccanici.  Verificare che il contenitore di capelli/pelucchi sia pieno.  Aprire tutte le valvole dell'impianto, pulire il cestello dello skimmer e della pompa, verificare che la girante della pompa non sia bloccata.
2. IL MOTORE NON FUNZIONA	Alimentazione non erogata al motore  Pompa bloccata	Verificare che tutti gli interruttori elettrici siano accesi. Controllare che gli interruttori automatici siano impostati correttamente. Verificare che l'impostazione del timer sia corretta. Controllare il cablaggio del motore nei terminali.  Dopo aver interrotto l'alimentazione elettrica, ruotare l'albero motore (deve potersi muovere liberamente). In caso contrario, contattare un elettricista o la sede di Waterco Limited più vicina per ricevere assistenza.
3. PORTATA BASSA	Filtro sporco Filtro dello skimmer e della pompa sporco Perdita d'aria in aspirazione Valvola chiusa o condotta intasata	Eseguire un controlavaggio o pulire la cartuccia.  Pulire lo skimmer e il filtro della pompa.  Vedi 1.  Vedi 1.
4. SURRISCALDAMENTO DEL MOTORE	Tensione bassa o errata  Installato sotto la luce diretta del sole Scarsa ventilazione	Far riparare l'alimentazione da un elettricista. Al tatto il motore risulta caldo, ed è normale che sia così. La protezione da sovraccarico termico entra in azione, spegnendolo, in caso di sovraccarico o temperatura troppo alta. La ventola di raffreddamento del motore della pompa deve avere uno spazio libero di almeno 150 mm.  Tenerlo al riparo dalle condizioni atmosferiche esterne.  Non chiudere il motore all'interno di un contenitore e non avvolgerlo in una copertura troppo stretta.
5. FUNZIONAMENTO RUMOROSO DELLA POMPA	Problema al cuscinetto Perdita d'aria in aspirazione Alimentazione bloccata Materiale estraneo nella girante  Cavitazione	Farlo sostituire da un elettricista.  Vedi 1.  Individuare e rimuovere il blocco.  Smontare la pompa e rimuovere il materiale estraneo e le impurità solide nei pressi della girante.  Migliorare l'aspirazione, ridurre l'altezza di aspirazione, ridurre il numero di raccordi, aumentare la dimensione della tubatura, aumentare la pressione di scarico e ridurre la portata agendo sulla valvola di scarico.
6. SALVAMOTORE PER SOVRACCARICO	Motore collegato in modo non corretto Bassa tensione in entrata  Sovraccarico dovuto a grippaggio della pompa o dimensione errata della girante	Chiedere a un elettricista controllare il cablaggio.  Chiedere a un elettricista di controllare la tensione, evitare di mettere in funzione la pompa con una prolunga. Segnalare l'assenza di un'alimentazione adeguata all'autorità competente.  Contattare Waterco Limited per ricevere assistenza.

**Attenzione:** Se la pompa Waterco Limited rientra ancora nel periodo di garanzia indicato e si verifica un guasto, contattare sempre il proprio rivenditore o la sede di Waterco Limited più vicina per avere indicazioni su come intervenire, pena l'annullamento della garanzia. Fare riferimento alla documentazione sulla garanzia fornita insieme alla pompa.

Qualsiasi intervento sull'impianto elettrico deve essere effettuato da un elettricista qualificato. Non tentare mai di riparare i componenti elettrici di una pompa Waterco Limited, a meno di non essere in possesso delle idonee qualifiche.

# Innehållsförteckning

ALLMÄNNA SÄKERHETSREGLER .....	51
PLACERING .....	52
INSTALLATION .....	52
ELEKTRISK ANSLUTNING .....	53
TREFASMOTOR .....	53
KOPPLINGSSHEMA .....	54
SKAPA FLÖDE .....	54
UNDERHÅLL .....	55
VÄTSKETEMPERATUR .....	55
SERVICE .....	55
VARNINGAR FÖR INSTALLATION OCH MONTERING .....	56
VARNINGAR FÖR MONTERING OCH UNDERHÅLL .....	56
FELSÖKNING .....	57

## ALLMÄNNA SÄKERHETSREGLER

1. Pumparna som omfattas av den här bruksanvisningen är särskilt avsedda för förfiltrering och återcirkulation av vattnet i pooler.
2. De är konstruerade för att användas med rent vatten vid temperaturer under **45 grader Celsius (113 grader Fahrenheit)**.
3. Installationen ska genomföras i enlighet med gällande säkerhetsinstruktioner för pooler, i synnerhet standarden **HD 60364-7-702** och de enskilda instruktionerna för varje anläggning.
4. Reglerna gällande olycksförebyggande ska noggrant efterföljas.
5. Alla modifieringar av pumpen kräver **först godkännande av tillverkaren**. Originalreservdelar och tillbehör som godkänts av tillverkaren säkerställer hög säkerhet. Tillverkaren av pumpen ansvarar inte för skador och personskador **som har orsakats av icke-godkända reservdelar och tillbehör**.
6. Under drift kommer vissa delar av pumpen i kontakt med farlig elektrisk spänning. Arbete får endast utföras på pumpen eller utrustning som är ansluten till den när de har **kopplats bort från strömförsörjningen och startanordningen har kopplats ur**.
7. Användaren ska se till att montering och underhåll utförs av **behöriga och auktoriserade personer och att dessa personer** först noga har läst igenom instruktionerna för service och installation.
8. Pumpens driftsäkerhet kan endast garanteras om instruktionerna för installation och service efterföljs.
9. De gränsvärden som anges i den tekniska tabellen **får inte under några omständigheter överskridas**.
10. Kontakta avdelningen för teknisk support hos tillverkaren eller dess närmaste auktoriserade återförsäljare vid fel på pumpen eller driften av den.
11. Om strömkabeln skadas måste den bytas ut av en auktoriserad servicetekniker.
12. Produkten är inte avsedd att användas av personer (inklusive barn) med nedsatt fysisk, sensorisk eller mental funktionsförmåga, eller som har bristande kunskap och erfarenhet, såvida det inte sker under uppsikt eller de har fått instruktioner om hur produkten används av en person som är ansvarig för deras säkerhet och om de förstår de faror det inbegriper.
13. Produkten är inte avsedd att användas av små barn. Små barn ska hållas under uppsikt så att de inte leker med produkten.
14. All (elektrisk) installation ska utföras av en behörig elektriker och i enlighet med lokala bestämmelser.
15. Om pumpen ska installeras i en anordning för en pool eller damm är det obligatoriskt att en jordfelsbrytare med en nominell utlösning på maximalt 30 mA installeras.
16. Koppla alltid bort apparaten från strömförsörjningen före montering, isärtagning eller rengöring.
17. Vid minusgrader måste vattnet tömmas ut ur pumphöljet helt genom att öppna pumphöljets dräneringspluggar.

### **Vid användning i Europa:**

1. Denna produkt är inte avsedd att användas av personer (inklusive barn från 8 år och uppåt) med nedsatt fysisk, sensorisk eller mental funktionsförmåga, eller som har bristande kunskap och erfarenhet, såvida det inte sker under uppsikt eller de har fått instruktioner om hur produkten används av en person som är ansvarig för deras säkerhet.
2. Barn ska hållas under uppsikt så att de inte leker med produkten.
3. Rengöring och användarunderhåll ska inte utföras av barn utan uppsikt.

## **~ VIKTIGT MEDDELANDE OM DEN ELEKTRISKA INSTALLATIONEN ~**

### **Den elektriska installationen ska utföras av en behörig elektriker.**

Alla pumpar ska ha ett överspänningskydd som separerar pumpen från strömkällan.

Kontaktseparationen måste ge fullständig fränkoppling i alla poler under överspänningskategori III-förhållanden.

Om pumpen ska installeras i en anordning för en pool eller damm är det **OBLIGATORISKT** att en jordfelsbrytare med en nominell utlösning på maximalt **30mA** installeras.

Kontrollera pumpens märkplåt för följande: Spänning, strömstyrka och cykel.

Strömsladden, inklusive jordledaren, ska vara av typen **60245 IEC 66 (H07RN-F)** för modeller med en **större** ineffekt än **1 kW**.

För modeller med lägre ineffekt än **1 kW** ska kvaliteten vara av typen **60245 IEC 57 (H05RN-F)**.

Alla installationer måste följa lokala föreskrifter, baserat på kraven i **IEC 60364-7-702**.

## **PLACERING**

Pumpen ska placeras så nära poolen det är praktiskt möjligt. Den ska också vara placerad så att den ger enkel åtkomst för regelbunden service.

Det är dessutom viktigt att pumpen placeras på en plats som inte riskerar att översvämmas och som är väl ventilerad och torr (kylfläkten till pumpmotorn måste minst ha ett fritt utrymme på 150 mm).

## **INSTALLATION**

Waterco Limited använder den senaste tekniken vid designen och tillverkningen av våra pumpar. Några enkla försiktighetsåtgärder vid installationen säkerställer många års felfri drift.

1. Pumpens sugledning får inte vara mindre än 40 mm (1 1/2").
2. Sugledningen ska ha så få böjar och vinklar som möjligt. Luftfickor ska inte kunna bildas någonstans i sugledningen.
3. Använd endast de medföljande unionkopplingarna för att ansluta till pumpmyningen.
4. Förankra pumpen på plats med bultar (förhindra förflyttning).
5. Pumpens elkabel måste anslutas till rätt spänning och rotation i enlighet med anslutningsinstruktionerna.
6. All (elektrisk) installation ska utföras av en behörig elektriker och i enlighet med lokala bestämmelser.
7. Motorn måste vara jordad.
8. Tyngden från fästelement och anslutna rörsystem får inte utgöra någon belastning på pumpen utan ska bäras upp av separata stöd.
9. Pumpmotorns kylfläkt måste minst ha 150 mm fritt utrymme.



## ELEKTRISK ANSLUTNING

Kontrollera att informationen på märkplåten överensstämmer med strömförsörjningen.

Anlita en behörig elektriker för att säkerställa att kabelinstallationen utförs i enlighet med lokala/nationella föreskrifter i det land där pumpen installeras. De nationella kabeldragningsreglerna i Australien och Nya Zeeland är AS/NZS 3000.

**TREFASMOTORN** levereras inte med internt värmskydd och kräver antingen **en säkerhetsbrytare med säkring eller ett överspänningsskydd**.

Installera och ställ in säkerhetsanordningarna enligt den ström som anges på märkplåten.

En **ENFASMOTOR** har en inbyggd termisk överbelastningsbrytare.

## TREFASMOTOR

**TREFASMOTORER** kräver utöver säkerhetsbrytaren även en startströmbrytare eller ett motorskydd samt ett korrekt dimensionerat överbelastningsskydd.

### KONTROLLERA ROTATIONEN I TREFASMOTORER.

Motorn är endast lämpad för medurs drift, sett från fläktskyddet (kåpan) vid motorns ände.

**Trefasmotorer kan rotera i båda riktningarna** Det går att ändra rotationsriktningen på en trefasmotor till den motsatta genom att byta plats på två av trådarna i kabeln. Starta motorn i cirka 1 sekund för att kontrollera motorns rotationsriktning. Om den körs med fel rotationsriktning ska du direkt koppla från strömmen och byta plats på två trådar och sedan upprepa ovanstående steg för att kontrollera igen.

Vid installation av trefaspumpar ska en separat enhet finnas tillgänglig för permanent installation, så att pumpen kan hållas isolerad från elnätet. **Ett kontaktavstånd på 3 mm per pol krävs för både trefas- och enfasenheter.**

Motorskydd **MÅSTE** installeras i överensstämmelse med motorns märkström. **SE VÄRDET PÅ MÄRKPLÅTEN.**

Det är användarens **ANSVAR** att säkerställa att skyddet mellan motorn och strömförsörjningen är adekvat.

Installatören måste skydda alla tre faserna på anslutningen till motorn så att det inte är möjligt för pumpen att köras på endast en eller två faser.

### **VARNING**

*Stäng alltid av elen vid strömkällan innan några elektriska anslutningar kopplas ur:*

**EXEMPEL:** *Boxen för överspänningsskydd eller säkringar. Säkerställ alltid innan arbete utförs på pumpen att pumpens brytare och timers är inaktiverade och **FÖRSÄKRA DIG OM ATT HUVUDSTRÖMMEN ÄR AVSTÄNGD.***

## KOPPLINGSSCHEMA

### • ENFAS



Blå = Neutral  
Brun = Fas  
Grön och gul = jord  
Grön med gul rand  
= jord (Storbritannien/EU)

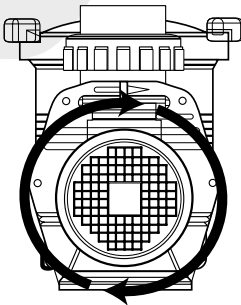
### • TREFAS



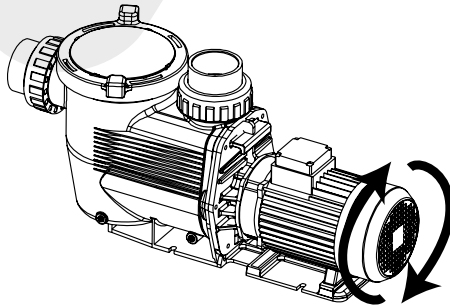
Svart = L3  
Blå = L2  
Brun = L1  
Grön/gul = jord

**Obs:** Konfigurationen av elledningar kan variera mellan olika länder och installatörer måste därför följa tillämpliga föreskrifter och standarder.

## ROTATION AV TREFASPUMP



MEDSOLS ROTATION



## SKAPA FLÖDE

**Såvida silkorgen är vattenfylld och sugkraften tillräcklig kommer Waterco Limited-pumpen generera flöde och återflöde.**

Om vatten har försvunnit ur silkorgen måste den fyllas på innan uppstart.

1. Avlägsna det genomskinliga locket och fyll silkorgen med vatten.
2. Sätt tillbaka locket, kontrollera att **o-ringen är korrekt** placerad och starta sedan pumpen.

Vänta sedan **ett par minuter (max)** på att pumpen börjar mata fram vatten.

### **⚠ VARNING**

*En högre sughöjd eller långa sugledningar gör att det tar längre tid för flödet att komma igång, vilket avsevärt kan påverka pumpens prestanda. Upprepa steg 1 och 2 om inget flöde uppstår i pumpen.*

### **⚠ VARNING**

*Mekaniska tätningar som utsätts för torrkorning kan snabbt skadas och behöva bytas ut.*

**SÄKERSTÄLL** alltid att det finns tillräckligt med vatten i silkorgen för hår och skräp innan du startar pumpen.

*Se felsökningsguiden om du inte får igång flödet i pumpen.*

*Se till att alla **sug- och utloppsventiler** är öppna innan du startar pumpen, i annat fall kan det orsaka skada på pumpen.*

## UNDERHÅLL

Silinsatsen i silkorgen för hår och skräp ska inspekteras och rengöras regelbundet.

1. Avlägsna locket och lyft ut korgen.
2. Ta bort skräp och skölj ur den med rent vatten vid behov.
3. Inspektera packningen till locket, smörj endast med **SILIKONBASERAT** smörjfett om det behövs. Byt ut den om den är skadad.
4. Byt ut silen.
5. Vattenfyll silkorgen för hår och skräp.
6. Placera o-ringen korrekt.
7. Sätt tillbaka locket (**dra endast åt för hand**).
8. Starta pumpen.

I klimat där pumpen kan **riskera att utsättas för frost eller minusgrader** måste försiktighetsåtgärder vidtas för att se till att pumpen skyddas från skador.

Det är rekommenderat att pumpen **töms helt och hållet** om den inte används vintertid.

Waterco Limited tillhandahåller dräneringspluggar för detta ändamål.

Byt inte ut dräneringspluggen. Förvara den på ett säkert ställe tills du ska använda pumpen igen.

### Exempelvis kan den förvaras i silkorgen.

Om det är praktiskt möjligt ska pumpen helst avlägsnas och förvaras på en torr plats under den här perioden.

Säkerställ vid återaktivering av pumpen att alla tätningar och o-ringar är i driftsäkert skick, smörj dem vid behov (**byt ut dem**) om du är osäker på skicket.

- *Kontrollera att motoraxeln rör sig fritt innan återaktiveringen..*

## VÄTSKETEMPERATUR

Den tillåtna temperaturen är **> 0 °C och < 45 °C**. Pumpen får aldrig användas vid temperaturer utanför detta intervall eftersom det kan orsaka skador.

## SERVICE

Om din pump från Waterco Limited behöver service som du inte kan utföra ska du alltid kontakta din **auktoriserade Waterco Limited-servicetekniker** för att få rådgivning eller service på plats.

- *Använd alltid originalreservdelar från Waterco Limited när du genomför pumpunderhåll.*

## VARNINGAR FÖR INSTALLATION OCH MONTERING

1. Var noga med att ansluta elektriska kablar till pumpens motor med kablarna korrekt arrangerade inuti kopplingslådan, säkerställ att det inte finns några kabelstycken kvar i lådan när du stänger den. **Se till att jordledningen är korrekt ansluten.** Följ kopplingsschemat som medföljer pumpen för att ansluta motorn.
2. Var särskilt försiktig **så att inget vatten tränger in i motorn eller de spänningsförsörjda delarna.**
3. Om den avsedda användningen är en annan än den specificerade kan det vara nödvändigt med justeringar och kompletterande tekniska föreskrifter.

### • VARNINGAR FÖR UPPSTART

*Innan pumpen startas ska du verifiera att kalibreringen av den elektriska skyddsutrustningen till motorn är korrekt och att skydden mot elektrisk och mekanisk kontakt är korrekt placerade och fastgjorda.*

## VARNINGAR FÖR MONTERING OCH UNDERHÅLL

1. **Var särskilt försiktig så att inget vatten tränger in i motorn eller de spänningsförsörjda delarna.**
2. Undvik all kontakt med pumpens rörliga delar.
3. Vänta tills pumpen har stannat helt innan du vidtar någon typ av åtgärd.
4. Säkerställ innan elektriskt eller mekaniskt underhåll utförs att pumpen är frånkopplad från strömförsörjningen och att alla startanordningar är låsta.
5. Det är rekommenderat att stegen nedan följs innan någon typ av hantering av pumpen.
  - a) stäng av spänningsförsörjningen till pumpen.
  - b) lås startanordningar.
  - c) säkerställ att det inte finns någon spänning i kretsarna, inklusive hjälpanordningar och hjälpkretsar.
  - d) vänta tills motorn stannar helt.

**Ovanstående lista ska endast betraktas som en vägledning och är inte uteslutande vad gäller säkerheten. Särskilda säkerhetsregler kan förekomma i vissa bestämmelser.**

### Kontrollera regelbundet:

1. Att pumpens mekaniska delar och fästkruvar är korrekt fastgjorda.
2. Korrekt placering, anslutning och skick på anslutningskablar och isolerande delar.
3. Motorns temperatur. Vid alla typer av oregelbundenheter ska pumpen omgående stängas av och repareras.
4. Pumpens vibration. Vid alla typer av oregelbundenheter ska pumpen omgående stängas av och repareras.

På grund av komplexiteten i alla de fall som omfattas, utgör instruktionerna för installation, användning och underhåll i denna bruksanvisning inte en fullständig representation av alla möjliga och tänkbara fall av service och underhåll. Om ytterligare instruktioner krävs eller om speciella problem uppstår, kontakta leverantören eller pumptillverkaren direkt.

# FELSÖKNING

SYMPTOM	TROLIG ORSAK	ÅTGÄRD
1. INGET FLÖDE I PUMPEN	Luft i sugledningen  Inget vatten i pumpen. Stängda ventiler eller blockerade ledningar	Se till att vattennivån är tillräcklig vid sugpunkterna. Se till att korgar och slar är fria från skräp. Dra åt alla fästelement/unionkopplingar på pumpens sug sida, avlägsna och byt ut den mekaniska tätningen.  Se till att silkorgen för hår och skräp är vattenfylld. Öppna alla ventiler i systemet, rengör skimmern och pumpkorgen, kontrollera att inga blockeringar finns i pumpimpellern.
2. MOTORN STARTAR INTE	Ingen strömförsörjning till motorn  Blockering i pumpen	Kontrollera att alla strömbrytare är på. Säkerställ att överspänningsskydden är korrekt inställda. Kontrollera att timern är korrekt inställd. Kontrollera kablarna till motorn vid kopplingsplintarna. Stäng av strömmen och rotera pumpaxeln (ska rotera obehindrat). Om den inte roterar obehindrat ska en elektriker eller närmaste Waterco Limited-servicetekniker kontaktas.
3. LÅGT FLÖDE	Smutsigt filter Smutsig skimmer och pumpsil Luft i sugledningen Stängd ventil eller blockerad ledning	Returspola eller rengör kassetten. Rengör skimmer och pumpsil. Se 1. Se 1.
4. MOTORN BLIR FÖR VARM	Låg eller felaktig spänning  Installerad i direkt solljus Dålig ventilation	Anslutningen ska korrigeras av en behörig elektriker. Motorn känns het och fungerar normalt. Överbelastningsskyddet stänger av motorn vid händelse av överbelastning eller problem med höga temperaturer. Pumpmotorns kylfläkt måste minst ha 150 mm fritt utrymme. Skydda från väder och vind. Täck inte över motorn tätt eller inneslut den.
5. BULLRIG PUMPDRIFT	Dåligt lager Luft i sugledningen Blockering i sugledningen Främmande föremål i fläkthjulet  Kavitationer	Anlita en elektriker för att byta ut. Se 1. Lokalisera och ta bort blockeringen. Ta isär pumpen och avlägsna främmande föremål och skräp från impellerområdet. Förbättra sugkraften, minska sughöjden, minska antalet kopplingar, öka rörstorleken, öka utloppstrycket och minska flödet genom att strypa utloppsventilen.
6. MOTORNS ÖVERBELASTNINGSSKYDD SLÅR FRÅN	Motorn är inte korrekt ansluten Låg ingångsspänning  Överbelastning på grund av felaktig anslutning av pumpen eller fel storlek på impellern	Anlita en elektriker för att kontrollera kabeldragningen. Anlita en elektriker för att kontrollera spänningen, pumpen får inte köras via en förlängningssladd. Rapportera den låga spänningen till berörda myndigheter. Kontakta Waterco Limited för service.

**Varning:** Om garantiperioden för Waterco-pumpen ännu inte har löpt ut och fel uppstår ska du alltid kontakta din återförsäljare eller närmaste Waterco Limited-kontor för att få råd. Underlåtenhet att göra detta kan medföra att garantin blir ogiltig. Läs garantidokumentationen som medföljde pumpen.

Allt elektriskt arbete ska utföras av en behörig elektriker. Du får inte under några omständigheter utföra reparationer på de elektriska komponenterna i pumpar från Waterco Limited, såvida du inte har lämplig behörighet.

# Sisällysluettelo

YLEISET TURVALLISUUSOHJEET .....	59
SIJOITUS .....	60
AENNUS .....	60
SÄHKÖKYTKENNÄT .....	61
KOLMIVAIHEMOOTTORI .....	61
JOHDOTUSKAAVIO .....	62
ESITÄYTTÖ .....	62
KUNNOSSAPITO .....	63
PUMPATTAVAN VEDEN LÄMPÖTILA .....	63
HUOLTO .....	63
AENNUSTA JA KOKOAMISTA .....	64
KOSKEVAT VAROITUKSET	
KOKOAMISTA JA HUOLTOA .....	64
KOSKEVAT VAROITUKSET	
VIANETSINTÄ .....	65

## YLEISET TURVALLISUUSOHJEET

1. Tämän ohjekirjan kattamat laitteet on tarkoitettu uima-altaiden veden esisuodatukseen ja kierrätykseen.
2. Ne on tarkoitettu puhtaalle, enintään **45 °C:n (113 °F) vedelle**.
3. Asennuksen tulee tapahtua uima-altaita koskevien turvallisuussuositusten, etenkin **HD 60364-7-702**-standardin, sekä asennuspaikan omien ohjeiden mukaisesti.
4. Onnettomuuksien ehkäisyä koskevia sääntöjä on noudatettava huolellisesti.
5. Kaikenlaiset muutokset pumppuun edellyttävät **valmistajan etukäteistä hyväksyntää**. Alkuperäisten varaosien ja valmistajan hyväksymien tarvikkeiden käyttö takaa hyvän käyttöturvallisuuden. Pumpun valmistaja ei vastaa vahingoista ja vammoista, jotka **johtuvat valtuuttamattomien varaosien ja tarvikkeiden käytöstä**.
6. Tietyt pumpun osat ovat käytön aikana vaarallisen jännitteisiä. Pumpppua tai siihen liitettyjä laitteita saa huoltaa vain silloin, kun **ne on kytketty irti virtalähteestä ja käynnistyslaite on kytketty irti**.
7. Käyttäjän on huolehdittava siitä, että asennus- ja huoltotehtävät suorittaa **valtuutettu asentaja** ja että asentaja lukee ensin huolto- ja asennusohjeet huolellisesti.
8. Pumpun käyttöturvallisuus taataan ainoastaan siinä tapauksessa, että asennus- ja huolto-ohjeita noudatetaan oikein.
9. Teknisessä taulukossa ilmoitettuja raja-arvoja **ei saa ylittää missään tapauksessa**.
10. Jos pumpppu ei toimi oikein tai siinä on vikaa, ota yhteys valmistajan tekniseen tukeen tai lähimpään valtuutettuun edustajaan.
11. Jos pumpun virtakaapeli vaurioituu, vain valtuutettu huoltoedustaja saa vaihtaa sen.
12. Laitetta ei ole tarkoitettu sellaisten henkilöiden käytettäväksi (mukaan lukien lapset), joilla on alentunut fyysinen, aistillinen tai henkinen toimintakyky tai joilta puuttuu kokemusta tai tietoa, ellei käyttöä valvo tai sitä ole opettanut henkilö, joka hallitsee laitteen käytön ja vastaa laitetta käyttävän henkilön turvallisuudesta. Laitteen käyttäjän on myös ymmärrettävä käyttöön liittyvät vaarat.
13. Laitetta ei ole tarkoitettu lasten käytettäväksi. Lapsia on valvottava, jotta he eivät leiki laitteella.
14. Kaikki johdotus-/sähkötyöt on annettava valtuutetun sähköasentajan tehtäväksi. Asennuksissa on noudatettava paikallisia sähköturvallisuusvaatimuksia.
15. Jos pumpppu asennetaan uima- tai muun altaan läheisyyteen, on välttämätöntä asentaa maavuotokatkaisija, jonka nimellinen laukaisuvirta on enintään 30 mA.
16. Irrota laite aina virtalähteestä ennen kokoamista, purkamista tai puhdistamista.
17. Ennen pakkasia pumpppukotelosta täytyy tyhjentää kaikki vesi avaamalla pumpppukotelossa olevat tyhjennysulpat.

### **Käyttö Euroopassa:**

1. Tätä laitetta ei ole tarkoitettu sellaisten henkilöiden käytettäväksi (mukaan lukien 8 vuotta täyttäneet lapset), joilla on alentunut fyysinen, aistillinen tai henkinen toimintakyky tai joilta puuttuu kokemusta tai tietoa, ellei käyttöä valvo tai sitä ole opettanut henkilö, joka hallitsee laitteen käytön ja vastaa laitetta käyttävän henkilön turvallisuudesta. Laitteen käyttäjän on myös ymmärrettävä käyttöön liittyvät vaarat.
2. Lapsia on valvottava, jotta he eivät leiki laitteella.
3. Lasten ei saa antaa puhdistaa tai kunnossapitää laitetta ilman valvontaa.

## ~ TÄRKEÄÄ TIETOA SÄHKÖTURVALLISUUDESTA ~

### **Sähköasennukset tulee antaa valtuutetun sähköasentajan tehtäväksi.**

Jokaiselle pumpulle on oltava oma automaattinen virrankatkaisija, joka erottaa pumpun virtalähteestä.

Koskettimien ilmävälin on oltava riittävä, jotta katkaisu on täydellinen kaikissa navoissa ylijänniteluokan III mukaisissa olosuhteissa.

Jos pumppu asennetaan uima- tai muun altaan läheisyyteen, on **VÄLTTÄMÄTÖNTÄ** asentaa maavuotokatkaisija, jonka nimellinen laukaisuvirta on enintään **30mA**.

Tarkista seuraavat tiedot pumpun arvokilvestä: Jännite, ampeeriluku ja taajuus.

Virtakaapelin, mukaan lukien maadoitusjohdon, tulee olla tyyppiä **60245 IEC 66 (H07RN-F)** pumppumalleissa, joiden syöttöteho on **suurempi** kuin **1 kW**.

Pumppumalleissa, joiden syöttöteho on alle **1 kW**, tyyppin tulee olla **60245 IEC 57 (H05RN-F)**.

Kaikissa asennuksissa on noudatettava **IEC 60364-7-702** -standardiin perustuvia paikallisia sähköturvallisuusvaatimuksia.

## SIJOITUS

Pumppu tulee sijoittaa niin lähelle allasta kuin on käytännöllistä. Sijoituspaikan tulee myös olla sellainen, jossa pumppu on helposti huollettavissa.

Lisäksi sijoituspaikassa on oltava hyvä ilmanvaihto eikä se saa altistua vedelle. (Moottorin jäähdystysolettimen etäisyys moottorista tulee olla vähintään 150 mm).

## ASENNUS

Waterco Limited käyttää pumppujensa suunnittelussa ja valmistuksessa viimeisintä tekniikkaa. Muutaman yksinkertaisen varotoimen noudattaminen asennuksen aikana varmistaa vuosien ongelmattoman käytön.

1. Pumpun imuputken halkaisija ei saa olla pienempi kuin 1 1/2" (n. 40 mm).
2. Imuputkessa tulee olla mahdollisimman vähän mutkia tai taiteita. Imuputkessa ei saa olla ilmasulkuja.
3. Käytä ainoastaan pumpun mukana tulleita tynnyriliittämiä.
4. Kiinnitä pumppu sijoituspaikkaan pulteilla (jottei pumppu voi liikkua).
5. Pumpun virtakaapeli tulee johdottaa oikeaa jännitettä ja pyörimissuuntaa varten johdotusohjeiden mukaisesti.
6. Kaikki johdotus-/sähkötyöt on annettava valtuutetun sähköasentajan tehtäväksi. Asennuksissa on noudatettava paikallisia sähköturvallisuusvaatimuksia.
7. Moottori tulee maadoittaa.
8. Putket ja liittimet on tuettava erikseen, jottei pumpun tarvitse kannatella niiden painoa.
9. Moottorin jäähdystysolettimen etäisyys moottorista tulee olla vähintään 150 mm.



# SÄHKÖKYTKENNÄT

Tarkista, että arvokilven tiedot vastaavat virtalähdettä.

Käytä valtuutettua sähköasentajaa, jotta johdotus/sähköasennus tehdään pumpun asennusmaan paikallisten ja kansallisten sääntöjen mukaisesti. Australian ja Uuden-Seelannin kansalliset johdotussäännöt ovat AS/NZS 3000 -standardissa.

**KOLMIVAIHEMOOTTORISSA** ei ole sisäistä ylikuumenemiskytkintä, joten se tarvitsee joko **sulakkeella varustetun katkaisukytkimen tai virrankatkaisijan**.

Asenna ja säädä turvalaitteet arvokilvessä ilmoitetun virran mukaisesti.

**YKSIVAIHEMOOTTORISSA** on sisäänrakennettu ylikuumenemiskytkin.

## KOLMIVAIHEMOOTTORI

**KOLMIVAIHEMOOTTOREILLA** on oltava oikeankokoisella ylikuormitussuojalla varustettu käynnistyskytkin tai käynnistysrele sulakkeella varustetun katkaisukytkimen lisäksi.

### TARKISTA KOLMIVAIHEMOOTTORIEN PYÖRIMISSUUNTA.

Moottori on tarkoitettu pyörimään ainoastaan myötöpäivään moottorin päässä olevan tuulettimen suojakannen (moottorin suojuksen) suunnasta katsottuna.

**Kolmivaihemootorit kykenevät pyörimään kumpaankin suuntaan.** Pyörimissuunta muuttuu, jos minkä tahansa kahden virtakaapelissa olevan johdon paikkaa vaihdetaan. Tarkista moottorin pyörimissuunta käynnistämällä noin 1 sekunniksi. Jos moottori pyörii väärään suuntaan, katkaise virta, vaihda minkä tahansa kahden johdon paikkaa, ja tarkista suunta uudelleen.

Kolmivaihepumpujen asennuksiin on lisättävä erillinen virrankatkaisija, jotta pumppu on erotettu virtalähteestä. **Sekä kolmi- että yksivaihepumpuissa ilmavälin on oltava 3 mm kullekin navalle.**

Asennettavan moottorin suojakytkimen on vastattava moottorin nimellisvirtaa. **KATSO ARVO ARVOKILVESTÄ.**

On **KÄYTTÄJÄN VASTUULLA** huolehtia riittävästä suojasta moottorin ja virtalähteen välillä.

Asentajan on suojattava kaikki kolme vaihetta moottorin syötössä, jottei pumppu voi toimia yksi- tai kaksivaiheisesti.

### **VAROITUS**

*Ennen sähkökytkentöjen irrottamista katkaise virta virtalähteestä:*

**ESIMERKKI:** Sulake tai virrankatkaisija. Ennen työn aloittamista varmista, että pumpun virtakytkin tai ajastimet on kytketty pois päältä ja että **VIRTALÄHTEN KATKAISIJA ON POIS PÄÄLTÄ.**

## JOHDOTUSKAAVIO

### • YKSIVAIHEINEN



Sininen = nollajohdin  
Ruskea = jännitteinen  
Vihreä ja keltainen = maa  
Vihreä keltaisella raidalla = maa  
(Iso-Britannia/EU)

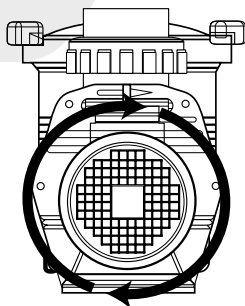
### • KOLMIVAIHEINEN



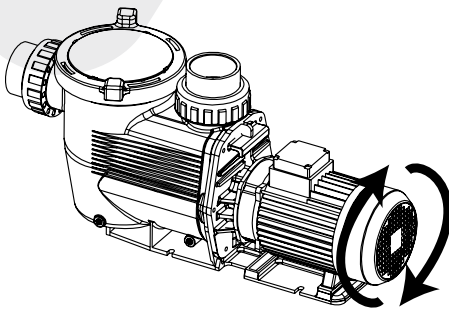
Musta = L3  
Sininen = L2  
Ruskea = L1  
Vihreä/keltainen = maa

**Huomaa:** Sähkökytkennät saattavat vaihdella maittain, ja asentajien on varmistettava, että he noudattavat paikallisia sähkövaatimuksia ja -normeja.

### • KOLMIVAIHEPUMPUN PYÖRIMISSUUNTA



MYÖTÄPÄIVÄÄN



## ESITÄYTTÖ

**Waterco Limited -pumput tekevät käynnistystyön ja toistavat sen edellyttäen, että hius- ja nukkasäiliö on täytetty vedellä ja imuaukkoon tulee riittävästi vettä.**

Jos hius- ja nukkasäiliöstä poistuu vettä, säiliö on täytettävä uudelleen ennen käynnistystä.

1. Irrota läpinäkyvä kansi, ja täytä hius- ja nukkasäiliö vedellä.
2. Varmista, että **O-rengastiiviste on oikeassa paikassa**, kiinnitä kansi, ja käynnistä pumppu.

Pumppu alkaa pumpata vettä **(enintään) muutaman minuutin** kuluttua.

### **VAROITUS**

*Korkea imukorkeus tai pitkä imuputki pidentää täyttöaikaa ja voi vaikuttaa merkittävästi pumpun suorituskykyyn. Jos pumppu ei tee käynnistystyötä, toista edellä olevat vaiheet 1 ja 2.*

### **WARNING**

*Jos mekaanisia tiivisteitä käytetään kuivana, ne voivat vaurioitua nopeasti, jolloin niiden vaihtaminen voi olla tarpeen..*

**VARMISTA** aina, että hius- ja nukkasäiliössä on riittävästi vettä ennen kuin käynnistät pumpun..

*Jos käynnistystyötä ei onnistu, katso kohtaa "Vianetsintä".*

*Varmista, että kaikki **imu- ja poistoventtiilit** ovat auki ennen kuin käynnistät pumpun. Pumpun käyttö näiden venttiilien ollessa kiinni voi vaurioittaa pumppua.*

## KUNNOSSAPITO

Hius- ja nukkasäiliössä oleva sihtikori tulee tarkastaa ja puhdistaa säännöllisin väliajoin.

1. Irrota kansi, ja nosta kori pois..
2. Poista roskat, ja puhdistu kori tarvittaessa puhtaalla vedellä.
3. Tarkasta kannen O-rengastiiviste, ja voitele se **SILIKONIPOHJAISELLA** rasvalla (vain) tarvittaessa. Jos tiiviste on vaurioitunut, vaihda se uuteen.
4. Aseta sihtikori takaisin.
5. Täytä hius- ja nukkasäiliö uudelleen vedellä.
6. Aseta O-rengastiiviste paikalleen.
7. Kiinnitä kansi (**kiristä ainoastaan käsin**).
8. Käynnistä pumppu.

Ilmasto-olosuhteissa, joissa pumppu saattaa altistua roudalle tai jäätymiselle, on tärkeää suojata pumppua vaurioitumiselta.

Jos pumppua ei käytetä talvella, se on hyvä **tyhjentää täysin**.

Waterco Limited myy tyhjennystulppia tähän tarkoitukseen.

Älä vaihda tyhjennystulppaa toisenlaiseen tulppaan. Säilytä tulppaa varmassa paikassa, silloin kun et tarvitse sitä -

### esimerkiksi hius- ja nukkasäiliön sihtikorissa.

Jos mahdollista, siirrä pumppu kuivaan paikkaan säilytettäväksi talven ajaksi.

Kun otat pumpun uudelleen käyttöön, varmista, että kaikki tiivisteet ovat käyttökunnossa. Voitele tiivisteet tarvittaessa tai **vaihda** ne uusiin, jos olet epävarma niiden kunnosta.

- *Tarkista, että moottorin akseli liikkuu vapaasti ennen pumpun käynnistämistä.*

## PUMPATTAVAN VEDEN LÄMPÖTILA

Pumpattavan veden on oltava lämpötilaltaan **> 0 °C ja < 45 °C**. Pumpun käyttäminen näiden lämpötilojen ulkopuolella voi johtaa vaurioihin.

## HUOLTO

Kun Waterco Limited -pumppusi tarvitsee huoltoa, ota aina yhteys **valtuutettuun Waterco Limited -huoltoon** ohjeita tai asentajan huoltokäyntiä varten.

- *Käytä pumpun huollossa aina aitoja Waterco Limited -varaosia.*

## ASENNUSTA JA KOKOAMISTA KOSKEVAT VAROITUKSET

1. Kun kytket sähkökaapeleita pumpun moottoriin, asettele johtimet huolellisesti liitäntärasian sisällä, ja tarkista, ettei rasiaan sisään suljettaessa jää kaapelinkappaleita. **Tarkista, että maadoitusjohto on liitetty oikein.** Kun kytket kaapeleita moottoriin, noudata pumpun mukana tullutta johdotuskaaviota.
2. Varo erityisesti, **ettei vettä pääse moottoriin tai sähköosiin, kun virta on kytkettynä.**
3. Jos pumpua aiotaan käyttää muuhun kuin suunniteltuun käyttötarkoitukseen, muunnokset ja ylimääräiset tekniset ohjeet voivat olla tarpeen.

### • KÄYNNISTYSTÄ KOSKEVAT VAROITUKSET

*Tarkista ennen pumpun käynnistämistä, että moottorin sähköiset suojalaitteet on kalibroitu oikein ja että sähköiseltä ja mekaaniselta kosketukselta suojaavat osat ovat oikeassa asennossa ja oikein kiinnitettyjä.*

## KOKOAMISTA JA HUOLTOA KOSKEVAT VAROITUKSET

1. **Varo erityisesti, ettei vettä pääse moottoriin tai sähköosiin, kun virta on kytkettynä.**
2. Vältä kaikenlaista (myös vahingossa tapahtuvaa) kosketusta pumpun liikkuviin osiin.
3. Odota, kunnes pumpu on kokonaan pysähtynyt, ennen kuin käsittelet sitä millään lailla.
4. Ennen sähköasennusta tai mekaanisia huoltotoimia varmista, että laite on kytketty irti virtalähteestä ja että käynnistyslaitteet on lukittu.
5. On suositeltavaa noudattaa seuraavia ohjeita ennen kaikenlaista pumpun käsittelyä:
  - a) Kytke pumpu irti virtalähteestä.
  - b) Lukitse käynnistyslaitteet.
  - c) Varmista, ettei virtapiireissä ole jännitettä; tarkista myös lisälaitteet ja apupiirit.
  - d) Odota, kunnes moottori pysähtyy kokonaan.

**Edellä oleva luettelo on suuntaa antava; tietyt tilanteet voivat edellyttää myös muita turvallisuussääntöjä.**

### Tarkista säännöllisesti:

1. Että pumpun mekaaniset osat ja kiinnitysruuvit on kiinnitetty oikein.
2. Että virtakaapelit on sijoitettu ja kiinnitetty oikein. Tarkista myös kaapelien kunto.
3. Moottorin lämpötila. Jos lämpötila on poikkeava, pysäytä laite heti ja huolehdi siitä, että se huolletaan.
4. Pumpun värinä. Jos laite tärisee poikkeavasti, pysäytä se heti ja huolehdi siitä, että se huolletaan.

Käsiteltävien tilanteiden monimutkaisuuden vuoksi tämän ohjekirjan tarkoitus ei ole kattaa kaikkia mahdollisia huolto- ja kunnossapitotilanteita. Jos tarvitset lisäohjeita tai jos laitteessa ilmenee ongelmia, joita ei ole käsitelty ohjeissa, ota epäroimättä yhteyks pumpun myyjään tai suoraan valmistajaan.

# VIANETSINTÄ

ONGELMA	TODENNÄKÖINEN SYY	TOIMET
1. PUMPPU EI TEE KÄYNNISTÄYTTÖÄ	Imuilman vuoto  Pumpussa ei ole vettä Suljetut venttiilit tai tukkeutuneet putket	Varmista, että veden korkeus imuaukkojen kohdalla on riittävä. Varmista, ettei sihtikoreissa ole roskia. Kiristä kaikki liittimet pumpun imupuolella. Poista mekaaninen tiiviste ja vaihda se uuteen.  Varmista, että hius- ja nukkasäiliö on täynnä vettä.  Avaa kaikki järjestelmän venttiilit. Puhdista pintaventtiiliin ja pumpun sihtikorit. Tarkista pumpun juoksupyörä tukoksen varalta..
2. MOOTTORI EI KÄYNNISTY	Moottori ei saa virtaa  Pumppu on tukossa	Tarkista, että kaikki sähkökatkaisijat on kytketty päälle. Tarkista, että virrankatkaisijat on oikein asetettu. Tarkista, että ajastin on oikein asetettu. Tarkista moottorin johdotus päätteissä.  Varmista, että virta on katkaistu, ja käännä pumpun akselia. Jos se ei liiku vapaasti, ota yhteys sähköasentajaan tai valmistajan lähimpään huoltoedustajaan.
3. HEIKKO VIRTAUS	Likainen suodatin Pintaventtiiliin ja pumpun sihtikorien roskaisuus  Imuilman vuoto Suljettu venttiili tai tukkeutunut putki	Tee vastavirtahuuhtelu tai puhdista patruuna.  Puhdista pintaventtiiliin ja pumpun sihtikorit  Ks. 1. Ks. 1.
4. MOOTTORI KÄY KUUMANA	Alhainen tai väärä verkkojännite  Asennettu suorassa auringonpaisteessa Huono ilmanvaihto	Anna asentajan korjata syöttö. On normaalia, että moottori kuumenee käydessään. Ylikuumenemiskytkin sammuttaa moottorin, jos se kuumenee liikaa. Moottorin jäähdytystuulettimen etäisyys moottorista tulee olla vähintään 150 mm.  Suojaa auringonvalolta. Peite tai muu suoja ei saa olla liian lähellä moottoria.
5. PUMPPU PITÄÄ KOVAA ÄÄNTÄ	Huono laakeri Imuilman vuoto Imutukos Tukos juoksupyörässä Kavitaatiot	Anna sähköasentajan vaihtaa se. Ks. 1. Paikallista ja poista tukos. Pura pumppu ja poista tukoksen aiheuttaja juoksupyörän ympäriltä. Paranna imua, madalla imukorkeutta, vähennä liittimien määrää, suurena putkikokoa, lisää poistopainetta ja vähennä virtausta kaventamalla poistoventtiiliä.
6. MOOTTORI YLIKUORMITTUU JA SAMMUU	Moottoria ei ole kytketty oikein Alhainen verkkojännite  Pumpun tukos tai vääränkokoinen juoksupyörä	Anna asentajan tarkistaa johdotus. Anna asentajan tarkistaa jännite. Tarkista, ettei pumppua käytetä jatkojohdolla. Ilmoita alhaisesta verkkojännitteestä viranomaisille.  Ota yhteys Waterco Limited -huoltoon.

**Varoitus:** Jos Waterco Limited -pumppun takuu on voimassa ja laitteeseen tulee vikaa, ota aina yhteys laitteen myyjään tai lähimpään Waterco Limited -edustajaan. Muussa tapauksessa takuu saattaa mitätöityä. Katso lisätietoja pumpun mukana tulleesta takuukirjasta.

Kaikki sähkötyöt on annettava valtuutetun sähköasentajan tehtäväksi; älä koskaan yritä itse korjata Waterco Limited -pumppujen sähköosia, ellei ole saanut siihen valtuutusta.

# Innholdsfortegnelse

GENERELLE SIKKERHETSREGLER .....	67
PLASSERING .....	68
MONTERING .....	68
ELEKTRISK KOBLING .....	69
TREFASEMOTOR .....	69
LEDNINGSSKJEMA .....	70
PRIMING .....	70
VEDLIKEHOLD .....	71
VÆSKETEMPERATUR .....	71
SERVICE .....	71
ADVARSLER FOR INSTALLASJONS- OG MONTASJEOPPGAVER .....	72
ADVARSLER FOR MONTERINGS- OG VEDLIKEHOLDSOPPGAVER .....	72
FEILSØKING .....	73

## GENERELLE SIKKERHETSREGLER

1. Maskinene som er nevnt i håndboken, er spesialkonstruert for å forhåndsfiltrere og resirkulere vannet i svømmebassenger.
2. De er konstruert for bruk med rent vann ved en temperatur som ikke oversiger **45 grader celcius (113 grader Fahrenheit)**.
3. Installasjonen bør utføres i samsvar med sikkerhetsinstruksjonene for svømmebassenger, særlig **Standard HD 60364-7-702**, og de spesifikke instruksjonene for hvert anlegg.
4. Reglene som gjelder for å hindre ulykker, må følges nøye.
5. Alle modifiseringer av pumpen krever **forhåndsgodkjenning fra produsenten**. Originale erstatningsdeler og utstyr som er autorisert av produsenten, sørger for et høyt sikkerhetsnivå. Pumpens produsent tar ikke noe ansvar for ødeleggelser eller **skader som skyldes uautoriserte erstatningsdeler og uautorisert utstyr**.
6. Under drift er enkelte deler av pumpen utsatt for farlig elektrisk spenning. Arbeid kan bare utføres på hver pumpe eller utstyr som er koblet til pumpen etter at **de er koblet fra strøm, og etter at startenheten er koblet fra**.
7. Brukeren må sørge for at monterings- og vedlikeholdsoppgaver utføres av **kvalifiserte og autoriserte personer**, og at disse personene først har lest instruksene for service og installasjon nøye.
8. Funksjonssikkerheten til pumpen har kun garanti dersom installasjons- og serviceinstruksjonene er fulgt på korrekt vis.
9. Grenseverdiene som er oppgitt i den Tekniske tabellen, **skal ikke under noen omstendigheter overstiges**.
10. Hvis det oppstår en feil eller defekt under drift, må du ta kontakt med produsentens avdeling for teknisk støtte eller nærmeste autoriserte forhandler.
11. Hvis strømledningen er skadet, må den erstattes av en autorisert servicepartner.
12. Apparatet er ikke ment for bruk av personer (herunder barn) med reduserte fysiske, sensoriske eller mentale evner, eller manglende erfaring og kunnskap, med mindre de er under oppsyn eller gis instruksjoner om bruken av apparatet av en person som er ansvarlig for deres sikkerhet, og de forstår farene som er involvert.
13. Apparatet er ikke ment for små barn. Små barn må holdes under oppsyn for å sikre at de ikke leker med apparatet.
14. All kabling (elektrisk arbeid) må utføres av faglærte elektrikere og installeres i henhold til lokalt regelverk.
15. Hvis pumpen skal installeres ved et svømmebasseng eller en dam, er det påkrevd at det installeres en jordet lekkasjehovedbryter med en nominell utløsningsstrøm som ikke overstiger 30 mA.
16. Koble alltid apparatet fra strøm før montering, demontering og rengjøring.
17. Ved frost må vannet tømmes helt ut av pumpehuset ved å åpne avløpspluggene på pumpehuset.

### **For bruk i Europa:**

1. Dette apparatet er ikke ment for bruk av personer (herunder barn fra 8 år og over) med reduserte fysiske, sensoriske eller mentale evner, eller manglende erfaring og kunnskap, med mindre de er under oppsyn eller gis instruksjoner om bruken av apparatet av en person som er ansvarlig for deres sikkerhet..
2. Barn må holdes under oppsyn for å sikre at de ikke leker med apparatet.
3. Rengjøring og brukervedlikehold skal ikke utføres at barn uten tilsyn.

## ~ VIKTIG MERKNAD OM ELEKTRISITET ~

### **Den elektriske intstallasjonen skal utføres av en faglært elektriker.**

Hver pumpe krever en hovedbryter som skiller pumpen fra strømtilførselen.

Kontaktseparasjonen må gi full frakobling på alle poler under overspenningskategori III-forhold.

Hvis pumpen skal installeres ved et svømmebasseng eller en dam, er det **PÅKREVD** at det installeres en jordet lekkasjehovedbryter med en nominell utløsningsstrøm som ikke overstiger **30mA**.

Sjekk pumpens typeskilt for følgende: Voltage, Amp draw og Cycle.

Strømledningen, inkludert jordledningen skal ha en kvalitet på **60245 IEC 66 (H07RN-F)** for modeller med strøminngang **høyere enn 1 kW**.

For modeller under **1 kW** inngang skal kvaliteten være på **60245 IEC 57 (H05RN-F)**.

Alle installasjoner må være i samsvar med lokale forskrifter, basert på **IEC 60364-7-702**-krav.

## PLASSERING

TPumpen må plasseres så nært bassenget som praktisk mulig. Pumpen må også være plassert slik at det er mulig med enkel tilgang til periodisk service.

Man må også passe på å plassere pumpen i et område uten fare for oversvømmelse og i et godt ventilert og tørt område (Kjøleviften på pumpemotoren må ha minimum klarering på 150 mm).

## INSTALLASJON

Waterco Limited bruker den helt nyeste teknologien når vi designer og produserer pumpene våre, og et par enkle forholdsregler under installasjonen vil sikre mange år med problemfri drift.

1. Pumpens innsugingskanal kan ikke være mindre enn 40 mm (1 1/2").
2. Innsugingskanalen må ha så få bøyninger eller knekker som mulig. Det kan ikke være noen vannlås i innsugingskanalen.
3. Bruk bare pumperørunionene som følger med pumpen.
4. Skru pumpen fast i ønsket stilling (hindre at den beveger seg).
5. Pumpens elektriske kabel må kables til riktig spenning og rotasjon i henhold til kablingsinstruksene.
6. All kabling (elektrisk arbeid) må utføres av faglærte elektrikere og installeres i henhold til lokalt regelverk.
7. Motoren må jordes.
8. Vekten på rørene og festene må støttes opp hver for seg, og ikke av pumpen.
9. Pumpemotorens kjølevifte må ha en minimumsklarering på 150 mm.



## ELEKTRISK KOBLING

Sjekk at informasjonen på typeskiltet samsvarer med strømforsyningen.

Bruk en kompetent elektriker for å sikre at ledningsinstallasjonene er utført i samsvar med lokale / nasjonale regler i det landet der pumpen er installert. De nasjonale ledningsreglene i Australia og New Zealand er AS/NZS 3000.

**TREFASEMOTOREN** leveres ikke med en intern varmebeskyttelse og krever enten **en skillebryter med sikring eller en hovedbryter**.

Installer og still inn sikkerhetsinnretningene i henhold til strømstyrken som er oppgitt på typeskiltet.

En **ENFASEMOTOR** har innebygd bryter for varmeoverbelastning.

## TREFASEMOTOR

**TREFASEMOTORER** krever en startbryter eller en magnetisk starter med korrekt dimensjonert overlastvern i tillegg til en skillebryter med sikring.

### KONTROLLER ROTASJONEN I TREFASEMOTORENE.

Motoren egner seg bare til drift med klokken sett fra viftedekelet ved motorenden.

**Trefasemotorer kan rotere i begge retninger.** Endres 2 ledninger i kablet på en trefaset motor, reverseres rotasjonsretningen. For å kontrollere motorens rotasjon, slår du den på i ca. 1 sekund. Hvis den går i feil retning, slår du strømmen av og bytter om på 2 kabler, og gjentar trinnet ovenfor for å kontrollere.

Ved montering av trefasemotorer må en separat enhet være tilgjengelig for permanent montering slik at pumpen kan isoleres fra hovedstrømforsyningen. **En kontaktavstand på 3 mm per pol er påkrevd for både trefasede og enfasede enheter.**

Motorvern MÅ være montert i henhold til motorens merkestrøm. **SE VERDIEN PÅ TYPESKILTET.**

Det er brukerens **ANSVAR** å sørge for tilstrekkelig vern mellom motoren og strømforsyningen.

Installatøren må beskytte alle de tre fasene på motorforsyningen slik at pumpen ikke kan kjøre på bare 1 eller 2 faser.

### **ADVARSEL**

*Før du kobler fra elektrisiteten, må du slå av elektrisiteten ved kilden:*

**EKSEMPEL:** Sikrings- eller hovedbryterboksen. Før det utføres arbeid på pumpen, må du sørge for at pumpens brytere eller timere er slått av og **SØRGE FOR AT STRØMTILFØRSELEN ER SLÅTT AV.**

## LEDNINGSSKJEMA

### • ENFASE



Blå = nøytralleder  
Brun = faseleder  
Grønn og gul = jord  
Grønn med gul stripe  
= Jord (UK / EU)

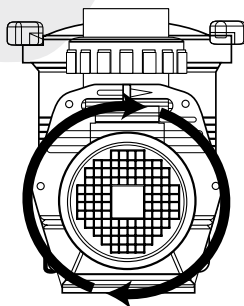
### • THREE PHASE



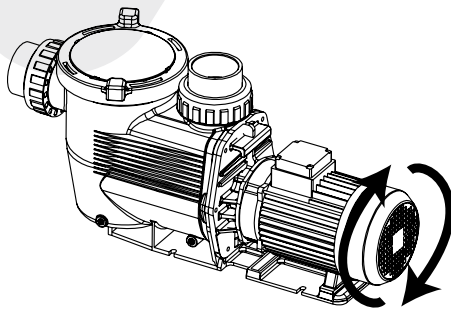
Svart = L3  
Blå = L2  
Brun = L1  
Grønn/gul = jord

**NB:** Elektrisk kabling kan variere fra land til land, og montøren må sørge for at disse reglene og standardene følges.

### • ROTASJONEN I EN TREFASEPUMPE



ROTASJON MED KLOKKEN



## PRIMING

**Waterco Limited-pumpen vil prime og re-prime gitt at beholderen for hår og lo er full av vann og det er tilstrekkelig tilførsel fra sugepunktet.**

Hvis du tømmer vann fra hår- og lobeholderen, er det nødvendig å fylle den på nytt før du starter.

1. Fjern det gjennomsiktige dekselet og fyll hår- og lobeholderen med vann.
2. Sett dekselet på plass igjen, og sørg for at **o-ringen er plassert riktig**, og start pumpen.

Etter at du har gjort dette, lar du pumpen gå i **noen minutter (maksimalt)** før den begynner å sende ut vann.

### **⚠ ADVARSEL**

*Høyt løft i innsugingen eller lange innsugingskanaler vil kreve mer primingtid, og kan påvirke pumpens ytelse i stor grad. Hvis pumpen ikke vil prime (flyte), gjentar du trinn 1 og 2 ovenfor.*

### **⚠ ADVARSEL**

*Mekaniske tetninger kan raskt ta skade og må kanskje erstattes hvis de kjøres tørre.*

**SØRG FOR** at det alltid er tilstrekkelig med vann i hår- og lobeholderen før oppstart.

*Hvis du ikke kan prime pumpen, må du se veiledningen for feilsøking.*

*Sørg for at alle **innsugings- og uttømmingsventilene** er åpne før du starter pumpen; hvis du bruker pumpen mens disse ventilene er stengt, kan du skade pumpen.*

## VEDLIKEHOLD

Silkurven i hår- og lobeholderen skal kontrolleres og rengjøres regelmessig.

1. Fjern dekselet og løft ut kurven.
2. Fjern rusk og skyl med rent vann ved behov.
3. Kontroller dekselets tetning, smør med **SILIKON**basert fett ved behov. Erstatt den hvis den er skadet.
4. Sett silen på plass igjen.
5. Re-prime hår- og lobeholderen.
6. Plasser o-ringen riktig.
7. Sett dekselet på plass (**bare stram til for hånd**).
8. Slå på pumpen.

I klimaer der pumpen kan **bli utsatt for frost eller frysing**, må det tas forholdsregler for å sikre at pumpen beskyttes mot skader.

Vi anbefaler at hvis pumpen ikke skal brukes i løpet av vinteren, bør den **tømmes fullstendig**.

Waterco Limited leverer avløpspluggen til dette formålet.

Ikke sett avløpspluggen tilbake igjen. Oppbevar den på et trygt sted til du skal bruke pumpen.

### For eksempel inne i hår- og lobeholderen.

Hvis det er mulig, bør du fjerne pumpen og oppbevare den på et tørt sted i denne perioden.

Når du aktiverer pumpen igjen, må du sørge for at alle tetninger og o-ringer er i god stand, og smøre dem ved behov (**sett tilbake**) hvis du er usikker på tilstanden.

- *Kontroller at motorakselen beveger seg fritt før aktivering.*

## VÆSKETEMPERATUR

Den tillatte temperaturen er **> enn 0°C og < than 45°C**. Pumpen må aldri brukes utenfor disse temperaturene, ellers kan det oppstå skade.

## SERVICE

Hvis du har behov for service på din Waterco Limited-pumpe og du ikke kan utføre den selv, må du ta kontakt med en **autorisert Waterco Limited-leverandør** for å få råd og service.

- *Bruk alltid originale Waterco Limited-reservedeler når du utfører vedlikehold på pumpen.*

## ADVARSLER FOR INSTALLASJONS- OG MONTASJEOPPGAVER

1. Når du kobler elektriske kabler til pumpens motor, må du være nøye med å plassere dem riktig i koblingsboksen. Kontroller at det ikke er igjen noen kabelbiter inne i boksen når du lukker den. **Sjekk at jordkabelen er koblet til riktig.** Når du kobler til motoren, følger du kabeldiagrammet som følger med pumpen.
2. Vær særlig forsiktig **slik at det ikke kommer inn noe vann i motoren eller de elektriske delene under spenning.**
3. Hvis den planlagte bruken ikke er som angitt, kan tilpasninger og flere tekniske regler være nødvendige.

### • ADVARSLER VED OPPSTART

*Før du starter pumpen, må du kontrollere at de elektriske verneinnretningene på motoren er kalibrert og at vern mot elektrisk og mekanisk kontakter er plassert og festet riktig.*

## ADVARSLERFORMONTERINGS- OG VEDLIKEHOLDSOPPGAVER

1. **Vær særlig forsiktig slik at det ikke kommer inn noe vann i motoren eller de elektriske delene under spenning.**
2. Unngå all kontakt, også uforvarende, med de bevegelige delene i pumpen.
3. Vent til at pumpen har stoppet helt før du håndterer den på noen måte.
4. **Før du utfører elektrisk eller mekanisk vedlikehold, må du sørge for at maskinen er koblet fra strømmettet og at startenheterne er blitt låst.**
5. Vi anbefaler at du følger fremgangsmåten nedenfor før du håndterer pumpen på noen måte.
  - a) Koble fra spenningen til pumpen.
  - b) Lås startenheterne.
  - c) Kontroller at det ikke er noen spenning i kretsene, også i tilleggsapparater og driftsstrømkretser.
  - d) Vent til motoren stopper helt.

**Listen ovenfor skal regnes som antydninger, og er ikke bindende med tanke på sikkerheten. Det kan finnes bestemte sikkerhetsregler som må følges.**

### Kontroller følgende regelmessig:

1. At de mekaniske delene og pumpens støtteskruer er riktig festet.
2. Forsyningskablene og isolasjonsdelene er plassert og festet riktig, og de er i god stand.
3. Motorens temperatur. Hvis det oppstår uregelmessigheter, må du stanse maskinen umiddelbart og foreta reparasjoner.
4. Pumpens vibrasjon. Hvis det oppstår uregelmessigheter, må du stanse maskinen umiddelbart og foreta reparasjoner.

På grunn av kompleksiteten i sakene som dekkes, kan ikke instruksene for montering, bruk og vedlikehold i denne håndboken gjennomgå alle mulige og tenkelige tilfeller for service og vedlikehold. Hvis du trenger flere instruksjoner eller hvis særskilte problemer oppstår, må du ikke nøle med å ta kontakt med distributøren for å ta direkte kontakt med pumpens produsent.

## PROBLEMLØSNING

SYMPTOMER	MULIG ÅRSAK	TILTAK
1. PUMPEN PRIMER IKKE	Luftlekkasje i innsuget  Ikke noe vann i pumpen Stengte ventiler eller blokkerte slanger	Sørg for at vannivået er korrekt gjennom sugepunktene. Sørg for at kurvene og silene er fri for rusk. Stram til alle fester/unioner på innsugsiden av pumpen, fjern og sett på plass igjen mekaniske tetninger.  Sørg for at hår- og lobeholderen er full.  Åpne alle ventilene i systemet, rengjør skimmer- og pumpekurven, sjekk pumpens impeller med tanke på blokkering.
2. MOTOREN GÅR IKKE	Ikke noe strøm til motoren  Pumpen er tett	Kontroller at alle elektriske brytere er på. Sørg for at hovedbryterne er stilt inn riktig. Sjekk at timeren er stilt inn riktig. Sjekk motorkablingen ved terminalene.  Drei pumpens aksel mens strømmen er slått av (skal dreie fritt rundt). Hvis ikke, må du ta kontakt med elektriker eller nærmeste Waterco Limited-filial for å få service.
3. LAV STRØMNING	Skittent filter Skitten skimmer- og pumpefil Luftlekkasje i innsuget Stengt ventil eller blokkert slange	Tilbakeskylt eller rengjør patronen.  Rengjør skimmer- og pumpefilen.  Se 1.  Se 1.
4. MOTOREN GÅR VARM	Lav eller feil spenning  Montert i direkte sollys Dårlig ventilasjon	Tilførselen må korrigeres av en elektriker. Motorer går varme, og det er normalt. Varmeoverlastvernet slår inn og slår dem av hvis det oppstår en overlast eller et problem med for høy temperatur. Pumpemotorens kjølevifte må ha en minimumsklaring på 150 mm.  Beskytt mot været.  Ikke sett på dekelet for stramt eller omslutt motoren.
5. PUMPEN BRÅKER UNDER DRIFT	Dårlig lager Luftlekkasje i innsug Blokkering i innsug Fremmedlegeme i impeller  Kavitasjoner	Få en elektriker til å skifte ut.  Se 1.  Finn og fjern det som blokkerer.  Demonter pumpen og fjern fremmedlegemer og rusk fra rundt impelleren.  Forbedre innsuget, reduser innsugløftet, reduser antallet fester, øk rørstørrelsen, øk utløpstrykket og reduser strømmingen ved å strupe utløpsventilen.
6. MOTOREN OVERLASTES OG KOBLES UT	Motoren er ikke koblet til ordentlig Lav inngående spenning  Overlast på grunn av binding i pumpen eller impelleren har feil størrelse	Få en elektriker til å sjekke kablingen.  Få en elektriker til å sjekke spenningen, og sørg for at pumpen ikke kjøres med en skjøteledning. Rapportert lav strømforsyning til myndighetene.  Kontakt Waterco Limited for å få service.

**Advarsel:** Hvis Waterco Limited-pumpen er innenfor den oppgitte garantiperioden og du opplever feil, må du alltid ta kontakt med leverandøren eller nærmeste Waterco Limited-filial for å få råd. Hvis du ikke gjør dette, kan garantien bli ugyldig. Se garantidokumentasjonen som leveres med pumpen.

Allt elektrisk arbeid skal utføres av en faglært elektriker. Du må aldri under noen omstendigheter reparere de elektriske komponentene i Waterco Limiteds pumper med mindre du er faglært.

# جدول المحتويات

75	قواعد السلامة العامة
76	المكان
76	التركيب
77	الكهربائية التوصيلات
77	الأطوار الموتور الثلاثي
78	الأسلاك مخطط توصيلات
78	التحضير
79	الصيانة
79	السوائل درجة حرارة
79	الخدمة
80	والتجميع التركيب تحذيرات بشأن مهام
80	والصيانة التجميع تحذيرات بشأن مهام
81	وإصلاحها استكشاف الأعطال

## قواعد السلامة العامة

1. تم تصميم الماكينات التي ورد ذكرها في هذا الدليل خصيصًا من أجل الفترة المسبقة وإعادة تدوير المياه في أحواض السباحة.
2. تم تصميم هذه الماكينات بحيث تعمل باستخدام المياه النقية عند درجة حرارة لا تزيد عن ٤٥ درجة مئوية (١١٣ درجة فهرنهايت).
3. ينبغي تنفيذ عملية التركيب حسب تعليمات الأمان الخاصة بأحواض السباحة، لاسيما المعيار HD ٧٠٢٧-٦٠٣٦٤، وتعليمات المحددة لكل منشأة.
4. ينبغي اتباع قواعد الوقاية من الحوادث بحذورها.
5. من الضروري الحصول مسبقًا على موافقة شركة التصنيع قبل أي تعديل يتم إدخاله على المضخة. قطع الغيار والملحقات الأصلية المعتمدة من شركة التصنيع تضمن الحصول على مستوى أمان مرتفع. لا تتحمل شركة تصنيع المضخة مسؤولية أي تلف أو إصابات تحدث بسبب قطع غيار أو ملحقات غير معتمدة.
6. خلال التشغيل، تتعرض بعض أجزاء المضخة لجهود كهربي (فولتية) خطير. لا يتم العمل في كل مضخة أو جهاز متصل بها إلا بعد فصلها عن مصدر التيار الرئيسي وبعد فصل جهاز بدء التشغيل.
7. ينبغي أن يتأكد المستخدم أن مهام تجميع وتركيب الأجزاء ومهام الصيانة يتم تنفيذها بواسطة أشخاص معتمدين مؤهلين وأن هؤلاء الأشخاص يقرأون أولاً تعليمات الخدمة والتركيب بعناية.
8. لا يتم ضمان السلامة التشغيلية للمضخة إلا في حالة اتباع تعليمات التركيب والخدمة بشكل صحيح.
9. ينبغي عدم تجاوز القيمة المحددة في الجدول الفني تحت أي ظرف من الظروف.
10. في حالة تعطل التشغيل أو حدوث خطأ، اتصل بقسم الدعم التابع لشركة التصنيع أو أقرب وكلاء معتمدين.
11. في حالة تلف سلك التيار الكهربي، يجب استبداله بواسطة وكيل خدمة معتمد.
12. لم يتم تصميم هذا الجهاز للاستخدام من قبل أشخاص لديهم مشكلات جسدية وعقلية وحسية (بما فيهم الأطفال) أو نقص في المعرفة أو الخبرة، إلا تحت إشراف أو تعليمات بخصوص استخدامه من قبل الشخص المسؤول عن سلامتهم، وإذا كانوا يفهمون طبيعة المخاطر التي ينطوي عليها الجهاز.
13. لم يتم تصنيع هذا الجهاز ليستخدمه الأطفال. يجب مراقبة الأطفال لضمان عدم عبثهم بهذا الجهاز.
14. يجب تنفيذ كل (أعمال توصيلات الأسلاك الكهربية) بواسطة فنيين كهربائيين معتمدين ويجب تركيبها حسب اللوائح السارية.
15. إذا كانت هذه المضخة سيتم تركيبها في حوض سباحة أو بركة مائية فحتمًا ولا بد من تركيب قاطع دائرة للتشريب الأرضي يعمل بتيار مقنن للفصل لا يزيد عن ٣٠ ملي أمبير.
16. افصل المضخة عن مصدر الطاقة قبل تجميعها أو فكها أو تنظيفها.
17. في ظروف الطقس المتجمدة، يجب تصريف كل المياه الموجودة في مبيت المضخة عن طريق فتح سدادات التصريف الموجودة في هذا المبيت.

## الاستخدام في أوروبا:

1. لم يتم تصميم هذا الجهاز للاستخدام من قبل أشخاص لديهم مشكلات جسدية وعقلية وحسية (بمن فيهم الأطفال البالغون من العمر ٨ سنوات فأكثر) أو نقص في المعرفة أو الخبرة، إلا تحت إشراف أو تعليمات بخصوص استخدامه من قبل الشخص المسؤول عن سلامتهم.
2. يجب مراقبة الأطفال الصغار لضمان عدم عبثهم بهذا الجهاز.
3. يجب ألا يقوم الأطفال بأعمال التنظيف والصيانة دون إشراف.

## ~ ملاحظة هامة حول التوصيلات الكهربائية ~

ينبغي أن يقوم فني معتمد بأعمال التركيبات الكهربائية.

تحتاج كل مضخة إلى قاطع دائرة كهربائية لفصل المضخة عن التيار الكهربائي.

تؤدي آلية فصل التلامس إلى الفصل الكامل في جميع أقطاب التوصيل عند التعرض لظروف الفولتية الزائدة من الفئة الثالثة.

إذا كانت هذه المضخة سيتم تركيبها في حوض سباحة أو بركة مائية، فحتمًا ولا بد من تركيب قاطع دائرة للتسريب الأرضي يعمل بتيار مقنن للفصل لا يزيد عن ٣٠ مللي أمبير.

افحص لوحة اسم المضخات المطالعة ما يلي: الفولتية، سحب الأمبيرية، الدورات.

ينبغي أن يكون سلك التيار الكهربائي بما في ذلك سلك التأريض بنفس الجودة المنصوص عليها في المعيار IEC 6٠٢٤٥ ٦٦ (H٠٧RN-F) للطرازات الأكبر من دخل قدرة مقداره ١

كيلوواط.

ببالنسبة للطرازات التي تقل عن ١ كيلوواط، فينبغي أن تصل جودة الدخل إلى IEC 6٠٢٤٥ ٥٧ (H٠٥RN-F).

يجب أن تتوافق جميع التركيبات مع اللوائح المحلية استنادًا إلى شروط IEC ٧٠٢-٧-٦٠٣٦٤.

## المكان

يجب وضع المضخة في أقرب مكان عملي من حوض السباحة. يجب أن تكون المضخة في موضع يجعل الوصول إليها ممكنًا من أجل الخدمة الدورية.

ويجب توخي الحذر أيضًا أن توضع المضخة في منطقة تكون خالية من الغمر وجافة وجيدة التهوية (يجب أن يكون هناك خلوص لمروحة تبريد موتور المضخة قدره ١٥٠مم/ ٦ بوصات على الأقل).

## التركيب

تستخدم شركة Waterco Limited أحدث التقنيات عند تصميم وتصنيع المضخات ويضمن القيام بمجموعة من الاحتياطات البسيطة خلال التركيب امتداد تشغيل المضخة لسنوات عديدة دون أي مشكلات.

1. ينبغي ألا يكون خط الشفط في المضخة أصغر من ٤٠ مم (١ ٢/١ بوصة).
2. يشتمل خط الشفط على انحناءات ووصلات مرفقية قليلة قدر الإمكان. يجب ألا يكون هناك صمام هواء في خط الشفط.
3. لا تستخدم سوى الوصلات الأسطوانية المزودة مع المضخة.
4. اربط المضخة في الموضع المطلوب (مع منع الحركة).
5. يجب توصيل الكابلات الكهربائي الخاص بالمضخة بمصدر فولتية ودوران مناسب حسب تعليمات توصيلات الأسلاك.
6. يجب تنفيذ كل أعمال توصيلات الأسلاك (الكهربية) بواسطة فنيين كهربائيين معتمدين ويجب تركيبها حسب اللوائح السارية.
7. يجب تأريض الموتور.
8. يجب أن يتم دعم وزن وصلات السباكة والتجهيزات بشكل مستقل وألا يتم تحميلها على المضخة.
9. يجب أن يكون هناك خلوص لمروحة تبريد موتور المضخة قدره ١٥٠ مم.



## التوصيلات الكهربائية

تحقق أن المعلومات الواردة في لوحة بيانات الجهاز تتوافق مع مصدر التيار الكهربائي.

عين فنيًا كهربائيًا مؤهلاً لضمان تركيب الأسلاك وفقاً للقوانين المحلية / الوطنية السارية في البلد الذي يتم تركيب المضخة فيه. قوانين الأسلاك الوطنية في أستراليا ونيوزيلاندا هي AS/NZS 3000.

لا يأتي الموتور الثلاثي الأطوار مزوداً بواقٍ حراري داخلي، ويحتاج إلى مفتاح فصل مصهري أو قاطع دائرة كهربائية.

رُكِّب أجهزة الأمان واضبطها وفقاً للتيار الموضح في لوحة الاسم

يشتمل الموتور الأحادي الطور على مفتاح مدمج للحماية من الحمل الحراري الزائد

## الموتور الثلاثي الأطوار

تستلزم المواثر الثلاثية الأطوار مفتاح بدء تشغيل أو بادئ تشغيل مغناطيسي يشتمل على آلية ذات حجم مناسب للحماية من الحمولة الزائدة بالإضافة إلى مفتاح الفصل المحمي بالمصاهر.

تحقق من دوران المواثر الثلاثية الأطوار.

لا يتناسب الموتور إلا مع التشغيل في اتجاه عقارب الساعة عند النظر إليه من غطاء المروحة الطرفية في الموتور (الغطاء الواقي).

يمكن أن تدور المواثر الثلاثية الأطوار في أي اتجاه. سيؤدي تغيير أي اثنين من أسلاك الكابل في أي موتور ثلاثي الأطوار إلى عكس اتجاه الدوران. للتحقق من دوران الموتور، قم بتشغيله لمدة ثانية واحدة تقريباً. إذا كان يدور في الاتجاه الخاطئ، أوقف التشغيل وقم بتبديل أي سلكين وكرر الخطوة الواردة أعلاه للتحقق من دورانه.

عند تركيب مضخات ثلاثية الأطوار، يجب توفير جهاز فصل من أجل الفصل الدائم حتى يمكن فصل المضخة عن مصدر التيار الكهربائي الرئيسي. من الضروري ترك مسافة تلامس 3 مم على الأقل في كل قطب في الوحدات الثلاثية والأحادية الطور على حد سواء.

يجب تركيب آلية لحماية الموتور تتماثل مع القيمة الاسمية للتيار الكهربائي في الموتور. انظر القيمة المدونة في لوحة المعايرة.

يتحمل المستخدم مسؤولية التأكد من توفير الحماية المناسبة بين الموتور ومصدر التيار الكهربائي.

يجب أن يحرص فني التركيب على حماية كافة الأطوار الثلاثة لمصدر الإمداد في الموتور بحيث يتعذر تشغيل المضخة في الطور الأحادي والثنائي فقط.



تحذير

قبل فصل التوصيلات الكهربائية، افصل مصدر الكهرباء:

مثال: المصهر أو صندوق قاطع الدائرة. قبل تنفيذ العمل في المضخة، تأكد من إيقاف تشغيل مفتاح المضخة أو أجهزة التوقيت وتأكد من فصل مصدر التيار الكهربائي الرئيسي.

## مخطط توصيلات الأسلاك

### • الطور الأحادي

الأزرق = محايد  
البيج = سريان التيار الكهربائي  
الأخضر والأصفر = تأريض  
الأخضر بشرط أصفر = تأريض (المملكة المتحدة /  
الاتحاد الأوروبي)



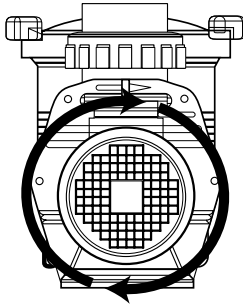
### • الطور الثلاثي

السود = L2  
أزرق = L1  
بيج = L3  
الأخضر والأصفر = تأريض

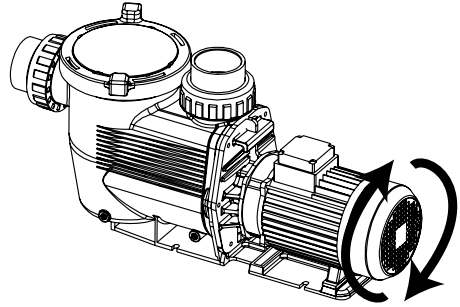


ملاحظة: قد يختلف تكوين (توصيلات) الأسلاك الكهربائية باختلاف البلدان، ينبغي أن يمثل القامون بالتركيب بهذه اللوائح التنظيمية والمعايير.

## • دوران المضخة الثلاثية الأطوار



دوران في اتجاه عقارب الساعة



## التحضير

سيتم تحضير مضخة Waterco Limited مسبقاً مما يجعل وعاء الشعر والنسالة ممتلئاً بالماء ويتم الإمداد بشكل كافٍ من نقطة السحب.

إذا فقدت الماء من وعاء الشعر والنسالة، فسيكون من الضروري إعادة ملئه قبل بدء التشغيل.

١. اخلع الغطاء الشفاف واملأ وعاء الشعر والنسالة بالماء.

٢. أعد تركيب الغطاء مع التأكد من تركيب الحلقة الدائرية بشكل صحيح ثم ابدأ تشغيل المضخة.

بعد أن تنتهي من ذلك، انتظر بضع دقائق (بحد أقصى) حتى تبدأ المضخة في ضخ الماء.

### تحذير

ستحتاج خطوط الرفع فائقة السحب أو خطوط السحب الطويلة إلى مدة زمنية أطول للتحضير وقد يؤثر ذلك تأثيراً عكسياً على أداء المضخة. إذا تعذر تحضير المضخة، (التدفق)، فكرر الخطوتين ١ و٢ الواردتين أعلاه.

### تحذير

إذا تم تشغيل سدادات منع التسرب الميكانيكية في حالة جافة فإنها قد تتلف بسرعة وقد يكون من الضروري استبدالها.

تأكد من وجود الكمية المناسبة من الماء في وعاء الشعر والنسالة دائماً قبل بدء التشغيل.

إذا تعذر عليك تحضير المضخة، فالرجاء مراجعة دليل استكشاف الأعطال وإصلاحها.

تأكد أن جميع صمامات الشفط والتفريغ مفتوحة قبل بدء تشغيل المضخة، قد يؤدي تشغيل المضخة مع وجود هذه الصمامات مغلقة إلى إتلاف المضخة.

## الصيانة

ينبغي فحص حوض المصفاة الموجود في وعاء الشعر والنسالة وتنظيفه على فترات منتظمة.

١. اخلع الغطاء وارفع الحوض إلى الخارج.
٢. قم بإزالة الحطام وقم بالتنظيف باستخدام مياه نظيفة في حالة الضرورة.
٣. افحص حشية الغطاء وقم بالتزليق باستخدام شحم قائم على السليكون في حالة الضرورة فقط. استبدلها إذا كانت تالفة.
٤. استبدل المصفاة.
٥. أعد تحضير وعاء الشعر والنسالة.
٦. ضح الحلقة الدائرية في موضع صحيح.
٧. أعد تركيب الغطاء (وأحكام ربطه باليد) فقط.
٨. قم بتشغيل المضخة.

في الأحوال التي قد تتعرض فيها المضخة للصقيع أو التجمد، ينبغي توخي الحذر لضمان حماية المضخة من التلف.

يوصى بتصريف السوائل من المضخة تماماً في حالة عدم استخدامها خلال فترة الشتاء.

تقوم شركة Waterco Limited بتوريد سدادات تسريب لهذا الغرض.

لا تستبدل سدادة التسريب. قم بتخزينها في مكان آمن حتى تحتاج إلى استخدام المضخة.

مثال ذلك سيكون في حوض وعاء الشعر والنسالة.

قم بخلع المضخة وتخزينها في مكان جاف خلال هذه الفترة إذا كان ذلك ممكناً.

عندما تعيد تشغيل المضخة، تأكد أن كافة سدادات منع التسرب والحلقات الدائرية في حالة تشغيلية جيدة وأعد تشحيمها في حالة الضرورة (استبدالها) إذا لم تكن متأكدًا من حالتها.

• تأكد أن عمود الموتور يتحرك بحرية قبل إعادة التشغيل.

## درجة حرارة السوائل

درجة الحرارة المسموح بها تزيد عن 0 درجة مئوية وتقل عن 45 درجة مئوية. ينبغي ألا يتم تشغيل المضخة خارج درجة الحرارة هذه وإلا فإنها قد تتلف.

## الخدمة

إذ نشأت الحاجة إلى خدمة مضخة Waterco Limited الخاصة بك أو تعذر عليك خدمتها فاتصل دائماً بوكيل خدمة Waterco Limited المعتمد بمنطقتك للحصول على المشورة أو خدمة ميدانية.

• استخدم دائماً قطع غيار Waterco Limited الأصلية عند صيانة المضخة.

## تحذيرات بشأن مهام التركيب والتجميع

1. عند توصيل الكابلات الكهربائية بموتور المضخة، توخ الحذر بحيث يتم ترتيبها بشكل صحيح داخل صندوق التوصيل مع التحقق من عدم ترك بقايا الكابلات داخل الصندوق بعد غلقه. تحقق أن سلك التأسيس متصل بشكل صحيح. عند توصيل الموتور، اتبع مخطط توصيل الأسلاك الوارد مع المضخة.
  2. احترس بشكل خاص من دخول الماء إلى الموتور أو الأجزاء الكهربائية التي يسري بها جهد كهربي.
  3. في حالة استخدام المضخة في غير الاستخدام المحدد، قد يكون من الضروري إدخال قواعد فنية تعديلية أو تكميلية.
- التحذيرات الخاصة ببدء التشغيل
- قبل بدء تشغيل المضخة، تحقق أن معايرة أجهزة الحماية الكهربائية في الموتور وآليات الحماية ضد الملامسات الكهربائية والميكانيكية قد تم تركيبها وربطها بشكل صحيح.

## تحذيرات متعلقة بمهام تجميع وتركيب الأجزاء ومهام الصيانة

1. يجب بذل عناية خاصة حتى لا يدخل الماء إلى الموتور أو الأجزاء الكهربائية التي تحتوي على فولتية.
  2. تجنب ملامسة الأجزاء المتحركة نهائيًا ولو بدون قصد.
  3. انتظر حتى تتوقف المضخة تمامًا قبل الإمساك منها بأي حالٍ من الأحوال.
  4. قبل تنفيذ مهام الصيانة في المكونات الكهربائية أو الميكانيكية، تأكد من فصل الماكينة من مصدر التيار الكهربي ومن قفل أجهزة بدء التشغيل.
  5. ينصح باتباع الخطوات المذكورة أدناه عند التعامل مع المضخة بأي حالٍ من الأحوال.  
(أ) أفضل الفولتية عن المضخة.  
(ب) اقلل أجهزة بدء التشغيل.  
(ج) تحقق من عدم وجود فولتية في الدوائر، بما في ذلك الأجهزة الملحقة والدوائر المساعدة.  
(د) انتظر حتى يتوقف الموتور تمامًا.
- ينبغي التعامل مع القائمة السابقة على أنها استرشادية وليست إلزامية تهدف إلى الحفاظ على السلامة قد تشمل لوائح معينة على بعض قواعد السلامة والأمان.

تحقق مما يلي بشكل منتظم:

1. تركيب وربط الأجزاء الميكانيكية ومسامير الدعم في المضخة بشكل صحيح.
  2. وضع وتركيب ووجود كابلات الإمداد في الأجزاء العازلة في حالة جيدة.
  3. درجة حرارة الموتور. في حالة حدوث أي شيء غريب، أوقف الماكينة فورًا وأصلحها بواسطة أشخاص مختصين.
  4. اهتزاز المضخة. في حالة حدوث أي شيء غريب، أوقف الماكينة فورًا وأصلحها بواسطة أشخاص مختصين.
- بسبب تعقيد الحالات التي تم تناولها، لم تنطرق تعليمات التركيب والاستخدام والصيانة الواردة هنا إلى كافة حالات الصيانة والخدمة المحتملة أو التي يمكن تخيلها. إذا كان من الضروري الحصول على تعليمات إضافية أو في حالة ظهور مشكلات خاصة، لا تردد في الاتصال بالموزع أو التوجه مباشرة إلى شركة تصنيع المضخة.

## استكشاف الأعطال وإصلاحها

العلامات	السبب المحتمل	الإجراء
١. يتعذر تحضير المضخة	ركب صمامًا لا رجعيًا.	تأكد أن مستوى الماء مناسبًا من خلال نقاط الشفط. تأكد من خلو الأحواض والمصابي من الحطام والأوساخ. أحكم ربط كل التوصيلات / الصولات الموجودة في جانب الشفط بالمضخة وقم بخلع واستبدال السدادة الميكانيكية. تأكد من امتلاء وعاء الشعر والنسالة. افتح كل الصمامات الموجودة في النظام وقم بتنظيف المكشطة وحوض المضخة وافحص دفاعة المضخة للكشف عن أي انسداد.
٢. تعذر بدء تشغيل الموتور	عدم وصول التيار الكهربائي إلى الموتور انحسار في المضخة	تحقق أن جميع المفاتيح الكهربائية في وضع التشغيل. تأكد من ضبط قواطع الدائرة بشكل صحيح. تحقق إذا كان المؤقت قد تم ضبطه بشكل صحيح. افحص أسلاك الموتور عند الأطراف. أدر عمود إدارة المضخة (ينبغي أن يدور بمنتهى الحرية) أثناء فصل التيار الكهربائي. إذا لم يحدث ذلك، فافتصل بفني كهربائي أو بأقرب فرع لشركة Waterco Limited للقيام بالخدمة.
٣. انخفاض التدفق	الفلاتر متسخ اتساع المكشطة أو مصفاة المضخة تسرب هواء الشفط غلق الصمام أو انسداد الخط	قم بالغسيل العكسي أو تنظيف الخرطوشة. قم بتنظيف المكشطة أو مصفاة المضخة. انظر رقم ١. انظر رقم ١.
٤. تزداد سخونة المحرك عند التشغيل	انخفاض أو عدم ملائمة فولتية تركيب المضخة تحت أشعة الشمس المباشرة التهووية الضعيفة	يجب إصلاح الإمداد بواسطة الفني الكهربائي. المواتير تصبح ساخنة عند تشغيلها وهذا أمر معتاد. ستعمل آلية الحماية من الحمل الحراري الزائد على إيقاف تشغيلها في حالة فرط الحمولة أو مشكلة ارتفاع درجة الحرارة. يجب أن يكون هناك خلوص ملروحة تبريد موتور المضخة قدره ١٥٠ مم. قم بحمايته من الطقس. لا تقم بتغطية الموتور أو تضعه في صندوق أو شيء يطوقه.
٥. انبعاث الضوضاء أثناء عمل المضخة	محامل معطلة تسرب هواء في الشفط انسداد الشفط دخول جسم غريب إلى الدفاعة التجاويف	اطلب من الفني الكهربائي استبدالها. انظر رقم ١. حدد مكان الانسداد وقم بإزالته. قم بتفكيك المضخة وإزالة الجسم الغريب والحطام من حول الدفاعة. حسن عملية الشفط، وقلل ارتفاع الشفط، وقلل عدد التوصيلات، وأوسع قطر الماسورة، وزد ضغط التفريغ، وقلل التدفق باستخدام صمام التفريغ الخائض.
٦. فصل التيار عند زيادة الحمولة على الموتور	عدم اتصال الموتور بشكل صحيح انخفاض الجهد الوارد زيادة الحمولة بسبب وجود انثناء في المضخة أو خطأ في حجم الدفاعة	اطلب من الفني الكهربائي فحص الأسلاك. اطلب من الفني الكهربائي فحص الفولتية وتأكد من عدم وجود تشغيل المضخة باستخدام سلك إمالة. أبلغ السلطات المختصة عن انخفاض فولتية الإمداد. اتصل بشركة Waterco Limited للحصول على الخدمة.

تحذير: إذا كانت مضخة Waterco Limited مازالت في فترة الضمان وواجهت أي أعطال، فاتصل دائماً بالمورد أو أقرب فرع تابع لشركة Waterco Limited طلبًا للنصحة. قد يؤدي عدم الالتزام بذلك إلى إبطال الضمان. ارجع إلى مستندات الضمان الواردة مع المضخة.

يجب تنفيذ كل الأعمال الكهربائية بواسطة فني كهربائي مؤهل وينبغي ألا تحاول تحت أي ظرف من الظروف أن تقوم بنفسك بأي إصلاحات في المكونات الكهربائية لمضخة Waterco Limited ما لم تكن مؤهلًا تأهيلًا مناسبًا.

# 目录

一般安全规则 .....	83
位置 .....	84
安装 .....	84
电目录接 .....	85
三相电机 .....	85
接线图 .....	85
初始化 .....	86
维护 .....	87
液体温度 .....	87
检修 .....	87
安装和组装任务警告 .....	88
组装和维护任务警告 .....	88
故障排除 .....	89

## 一般安全规则

1. 本手册中所述机器专门设计用于泳池水的预过滤和再循环。
2. 它们专门设计用于在不超过 45 摄氏度（113 华氏度）的温度下处理清洁水。
3. 应当根据泳池安全说明，尤其是标准 HD 60384-7-702，以及每种设施的具体说明进行安装。
4. 应当小心遵循事故预防规则。
5. 对水泵进行任何改装需要获得制造商的事先同意。制造商授权的原厂替代零件和配件可确保较高安全水平。水泵制造商对于非授权替代零件和配件造成的损坏和伤害不承担责任。
6. 工作期间，水泵某些零件可能受到危险电压的损坏。仅当每台水泵或与之连接的设备断开市电电源，并且断开启动设备后，才能对其开展工作。
7. 用户应当确保由有资格的授权人员开展组装和维护任务，并且这些人已事先仔细阅读服务和安装说明。
8. 仅当正确遵守安装和服务说明时，水泵的工作安全性才有保障。
9. 技术表中所述限值技术表中所述限值在任何情况下都不能逾越。
10. 若出现带故障运行或故障，请联系制造商的技术支持部门或者最近的授权代理。
11. 若电源线损坏，必须由授权服务代理进行更换。
12. 对于身体、感官或精神状态不佳的人员或者缺乏经验和知识的人员（包括儿童），除非有对其安全负责的人员监督，或者对其进行了关于设备使用的说明介绍，且其了解相关危险，否则不能由其使用设备。
13. 该设备不可由幼儿使用。应当监管幼儿，确保其不触碰设备。
14. 所有线路工作（电工工作）必须由具备执业资格的电工依照当地法规完成。
15. 若水泵是安装在泳池或池塘边，必须安装一个额定跳闸电流不超过 30mA 的对地漏电断路器。
16. 在组装、拆卸或清洗之前，务必断开设备的电源连接。
17. 若发生冻结，必须打开泵壳上的排水塞将泵壳中的水完全排出。

### 欧洲境内使用须知

1. 凡肢体能力不健全者、感官迟钝者、心智不健全者、经验知识欠缺者，包括八岁以上儿童，均不宜使用本电器，除非有人负责其安全，在旁照看，或指导其操作。
2. 儿童应有人照看，万勿让儿童摆弄本电器。
3. 若无人在旁照看，切勿让儿童清洁、维护本电器。

## ~ 重要电气注意事项 ~

电气安装将由持有许可证的电工进行。

每个水泵需要断路器将水泵与供电隔离。在过电压类别 III 条件下，触点分隔必须让所有电极都完全断开。

若水泵将安装在泳池或池塘环境中，必须安装额定跳闸电流不超过 30mA 的接地漏电断路器。

检查水泵铭牌上的以下内容：电压、电流和周期。

对于输入功率大于 1kW 的型号，电线（包括接地线）质量应当达到 60245 IEC 66 (H07RN-F)

对于小于 1kW 输入的型号，质量应当达到 60245 IEC 57 (H05RN-F)。根据 IEC 60364-7-702 要求，所有装置必须符合当地规范。

## 位置

水泵必须尽可能靠近泳池。水泵必须位于方便定期检修的位置。

必须小心将水泵放在没有积水、通风良好的干燥区域。（水泵电机冷却风扇的安装间隙最小为 150mm）。

## 安装

Waterco 有限公司采用最新技术设计并制造水泵，安装期间采用一些简单的预防措施将确保多年无故障运行。

1. 水泵吸入管路应当不小于 40mm (1 1/2)。
2. 吸入管路的转弯和弯头要尽可能少。吸入管路中不能有气阱。
3. 仅使用水泵随机提供的水泵筒形管接头。
4. 用螺栓将水泵固定到所需位置（以防移动）。
5. 水泵电缆必须按正确电压接线，并根据接线说明绕圈。
6. 所有接线（电气）工作必须由持有许可证的电工进行，并且必须根据当地规范进行安装。
7. 电机必须接地。
8. 管道和配件的重量将独立支撑，而非由水泵承重。
9. 水泵电机冷却风扇的安装间隙最小为 150mm。



## 电气连接

确认铭牌上的信息与电源相符。

雇佣有资质的电工以确保接线安装符合水泵安装国家的任何当地/国家法规。澳大利亚和新西兰的国家布线法规是AS/NZS 3000。

三相电机不带内置型热保护器，需要一个**保险丝断路器或断路器**。

根据铭牌标注的电流安装和设置安全设备

**单相电机**带有内置型热过载开关。

## 三相电机

除熔断式断路器外，三相电机需要带有正确规格过载保护的启动器开关或磁性启动器。

检查三相电机的转动。

电机仅适合于顺时针运转（从电机末端风扇（整流罩）盖看）。

三相电机可在任一方向转动。更改三相电机上的任意 2 根电线将逆转转动方向。为了检查电机转动情况，打开约 1 秒。若反方向运行，关闭电源并交换任意 2 根电线，重复上述步骤进行检查。

安装三相水泵时，必须为用永久安装提供单独的装置，这样水泵才能与市电隔离。三相电机和单相装置都要求每个电极 3mm 的触点距离。

必须根据电机的标称电流安装电机保护装置。参见额定值铭牌上的值。

用户有责任确保电机和电源之间有充分的保护装置。

安装人必须保护电机电源的所有三相，以便水泵能仅在单相或两相上运行。

### **警告**

断开电气连接之前，关闭电源：

**例如：**熔断器或断路器箱。对水泵开展工作之前，确保水泵开关或计时器已关闭，并且确保市电电源已关闭。

## 接线图

### • 单相



蓝色 = 零线  
棕色 = 火线  
绿线和黄线 = 地线  
带黄色条纹的绿线  
= 地线（英国/欧盟）

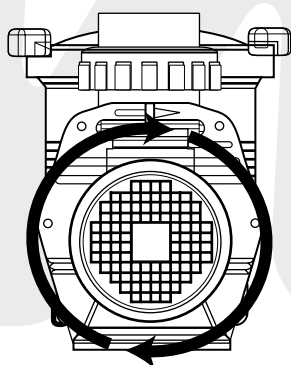
### • 三相



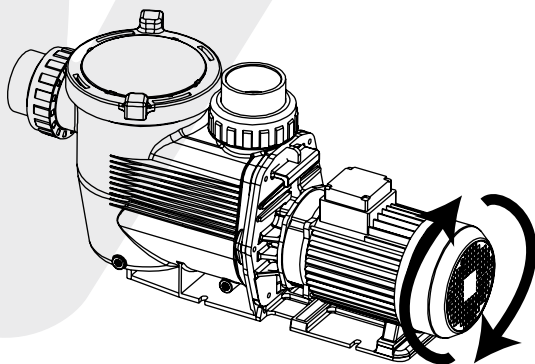
黑色 = L3  
蓝色 = L2  
棕色 = L1  
绿/黄 = 地线

**注意：**电气接线配置在不同的国家及地区可能不同，安装人员应当确保配置符合相关的法规及标准。

• 三相水泵的转动



顺时针转动



## 初始化

若毛发滤碗装满水，并且吸入点有充足的供水，Waterco 水泵将进行初始化和再次初始化。

若倒掉毛发滤碗中的水，启动之前有必要重新注水。

1. 取下透明盖，向毛发滤碗中注水。
2. 更换盖子，确保 O 型圈位置正确，启动水泵。

完成后，等待几分钟（最多），让水泵开始送水。

### 警告

高吸入扬程或长吸入管路将需要更多的时间进行初始化，并且会严重影响水泵性能。若水泵不初始化，（按顺序）重复上述步骤 1 和 2。

### 警告

若在干燥条件下运行，机械密封将很快损坏，可能需要更换。

确保启动之前，毛发滤碗中始终有足够的水。

若水泵不能进行初始化，请参见故障排除指南。

启动水泵前，确保打开所有吸入和排水阀门，使用水泵时若这些阀门关闭则会损坏水泵。

## 维护

应当定期检查并清洗毛发滤碗中的滤篮。

1. 取下盖子，拿出滤篮。
2. 必要时，用清水清理碎屑和软管。
3. 检查盖子滤篮，按需仅使用硅基油脂润滑。  
若已损坏，进行更换。
4. 更换滤网。
5. 重新准备毛发滤碗。
6. 正确放置 O 型圈。
7. 仅更换盖子（手动拧紧）
8. 打开水泵。

在水泵可能暴露在结霜或结冰的天气条件下，必须小心确保正确保护水泵，以免损害。

建议冬天不使用水泵时，完全排空其中的余水。

Waterco 有限公司可提供专用排水塞。

请勿更换排水塞。将其存放在安全位置，直到需要使用水泵。

例如可以放在毛发滤碗的篮子中。

若可能，在此期间拆下水泵，并放在干燥位置。

重新启动水泵时，确保所有密封件和 O 型圈都处于可使用状态，若有必要，重新上油，若不确定是否可用，则（更换）。

- 重新启动前，检查电机轴是否可以自由移动。

## 液体温度

允许温度高于 0°C，并不超过 45°C。水泵不可在此温度范围以外工作，否则可能损坏。

## 检修

若有必要，或者您无法检修 Waterco 水泵，请联系您的 Waterco 有限公司的授权服务代理，以获取建议或现场检修。

- 开展水泵维护时，始终使用正品 Waterco 替代零件。

## 安装和组装任务警告

1. 将电缆连接到水泵电机时，务必使其在接线盒内合理安排，确保关闭接线盒时没有电缆屑留在其中。查看接地线是否正确连接。连接电机时，遵循水泵的随机接线图。
2. 特别注意，带电电机或电气零件不能进水。
3. 若不按预计用途使用，可能需要进行改装和补充技术规则。

### • 启动警告

启动水泵前，核实电机的电气保护装置校准，电气和机械触点保护装置已正确定位和连接。

## 组装和维护任务警告

1. 特别注意，带电电机或电气零件不能进水。
2. 避免所有触点带有水泵活动零件，即使是意外情况也不例外。
3. 等待直到水泵完全停止，再进行处理。
4. 在进行任何电气或机械维护任务之前，确保机器已断开市电，并且启动装置已被锁定。
5. 建议在以任何方式处理水泵之前，遵循下述步骤。
  - a) 关闭水泵电压。
  - b) 锁定启动装置。
  - c) 核实电路不带电压，包括辅助设备和辅助电路。
  - d) 等待电机完全停止。

上述列表应当视为指示性的，而非安全强制要求；特定法规中可能有具体安全规定。

### 定期检查：

1. 机械零件和水泵支持螺钉正确连接
2. 电源线和隔离零件的正确位置、连接和状态。
3. 电机温度。若出现任何异常，立即停止机器，应进行维修。
4. 水泵振动。若出现任何异常，立即停止机器，应进行维修。

由于涉及的情况复杂，本手册中的安装、使用和维护说明不会介绍所有可能的或者想象的服务和维修情况。若需要补充说明，或者出现特定问题，请立即联系分销商，或者直接联系水泵制造商。

## 故障排除

现象	可能的原因	措施
1. 水泵不进行初始化	吸入空气泄漏  水泵中无水 阀门关闭或者管路堵塞	确保通过吸入点的水位正确。确保滤篮和滤网没有碎屑。拧紧水泵吸入侧的所有配件 / 接头，取下并更换机械密封。  确保毛发滤碗已满。  打开系统中的所有阀门，清洁撇渣器和水泵滤篮，检查水泵叶轮是否堵塞。
2. 电机不运行	电机不通电  水泵受阻	检查是否所有电气开关已打开。确保电路断路器已正确设置。检查计时器设置是否正确。检查电机的端子接线。  关闭电源后，转动水泵轴（应当可自由转动）。否则，联系电工或者最近的 Waterco 有限公司分公司进行维修。
3. 流速低	过滤器脏 撇渣器和水泵滤网脏 吸入空气泄漏 阀门关闭或者管路堵塞	反冲洗或清洁滤盒。 清洁撇渣器和水泵滤网。 参见 1。 参见 1。
4. 电机运行过热	电压低或者有误  安装在阳光直射的位置 通风不良	由电工更正电源。 电机运行过热，无法触碰，这是正常现象。若出现过载或高温问题，热过载保护装置将起作用，将其关闭。 水泵电机冷却风扇的安装间隙最小为150mm。 防风雨保护。 不可严实盖住或封闭电机。
5. 水泵有噪音运行	轴承异常 吸入空气泄漏 吸入堵塞 叶轮有异物 气阱	请电工更换。 参见 1。 定位并清理堵塞。 拆卸水泵，取出叶轮周围的异物和碎屑。 通过节流排气阀提高吸入，降低吸入扬程，减少配件数量，增加管道尺寸，增加排放压力并降低流量。
6. 电机过载停机	电机未正确连接 低输入电压 由于水泵内粘合物或叶轮尺寸不正确造成过载	请电工检查接线。 请电工检查电压，确保水泵工作时不使用延长线。向相关部门报告低电压。 联系 Waterco 有限公司以进行维修。

**警告：**若在 Waterco 水泵的所述质保期内出现故障，请务必联系您的供应商或最近的 Waterco 有限公司分公司，以获取建议。否则将使质保无效。参见水泵的随机质保文档。

所有电气工作应由有资质的电工开展；任何情况下，您都不可尝试维修 Waterco 水泵的任何电气组件，除非您有相关资质。

**Note / Note / Hinweis / Nota / 备注:**

---

**Note / Note / Hinweis / Nota / 备注:**

**OFFICES - AUSTRALIA**  
**BUREAUX - AUSTRALIE**  
**NIEDERLASSUNGEN - AUSTRALIEN**  
**OFICINAS - AUSTRALIA**  
**KANTOREN - AUSTRALIË**  
**ESCRITÓRIOS - AUSTRÁLIA**  
**UFFICI - AUSTRALIA**  
**KONTOR - AUSTRALIEN**  
**TOIMIPAIKAT - AUSTRALIA**  
**KONTORER - AUSTRALIA**

المكاتب أستراليا  
澳大利亚办事处

NSW - SYDNEY HEAD OFFICE  
SIÈGE SOCIAL  
FIRMENSITZ  
OFICINA CENTRAL  
HOOFDKANTOOR  
SEDE  
SEDE CENTRALE  
HUVUDKONTOR  
PÄÄKONTTORI  
HOVEDKONTOR

المقر الرئيسي  
总部

Tel : +61 2 9898 8686

VIC/TAS - MELBOURNE  
Tel : +61 3 9764 1211

WA - PERTH  
Tel : +61 8 9273 1900

QLD - BRISBANE  
Tel : +61 7 3299 9900

SA/NT - ADELAIDE  
Tel : +61 8 8244 6000

ACT DISTRIBUTOR  
Tel : +61 2 6280 6476

**OFFICES - OVERSEAS**  
**BUREAUX - MONDE**  
**NIEDERLASSUNGEN - INTERNATIONAL**  
**OFICINAS - EXTRANJERO**  
**KANTOREN - OVERZEES**  
**ESCRITÓRIOS - OUTROS PAÍSES**  
**UFFICI - ESTERO**  
**KONTOR - ÖVRIGA LÄNDER**  
**TOIMIPAIKAT - MUUT MAAT**  
**KONTORER - ANDRE LAND**

المكاتب - في الدول الخارجية  
海外办事处

WATERCO (EUROPE) LIMITED  
SITTINGBOURNE, KENT, UK  
TEL : +44 (0) 1795 521 733

WATERCO USA  
AUGUSTA, USA  
TEL : +1 706 793 7291

WATERCO CANADA  
BOUCHERVILLE, QUEBEC, CANADA  
TEL : +1 450 748 1421

WATERCO (NZ) LIMITED  
AUCKLAND, NEW ZEALAND  
TEL : +64 9 525 7570

WATERCO (C) LIMITED  
GUANGZHOU, CHINA  
TEL : +8620 3222 2180

WATERCO (FAR EAST) SDN BHD  
SELANGOR, MALAYSIA  
TEL : +60 3 6145 6000

PT WATERCO INDONESIA  
JAKARTA, INDONESIA  
TEL : +62 21 4585 1481

WATERCO SINGAPORE INTL PTE LTD  
NEHSONS BUILDING, SINGAPORE  
TEL : +65 6344 2378

**WATERCO**

Waterco Limited ABN 62 002 070 733

