

Multi-Purpose

Automatic Pool Cover Pump

1/3 HP
6814 LPH



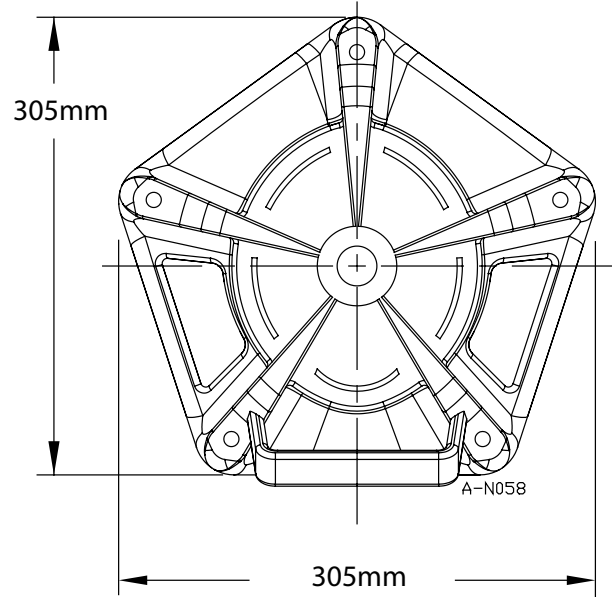
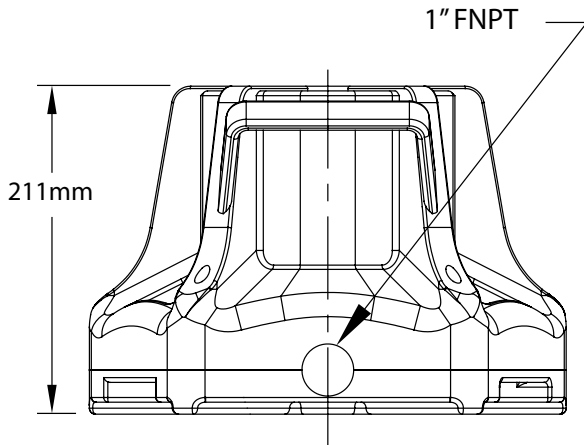
CE IP68

- **Mechanical internal float for reliability and easy access**
- **On level 51mm Off level 38mm**
- **Unique large base design for stability on top of pool cover**
- **Portable with convenient integrated handle**
- **230V 50Hz 1/3 HP pump with efficient PSC-type motor for quiet operation**
- **1" FNPT discharge with 3/4" garden hose adapter**
- **10m power cord**

Little Giant's uniquely designed automatic pool cover pump is reliable and ideal for removing water from all types of pool covers. The APCP-1700 activates in approximately 51mm of water and deactivates in approximately 38mm of water. The pump comes equipped with energy efficient motor design. The motor is mounted in a sealed, stainless steel housing and cooled by water being pumped over the motor housing. The APCP-1700 has a wide base design for needed stability; requires no maintenance; simply connect the drain hose; place on top of pool cover near the center of the pool and plug in. In case of emergency, the APCP-1700 can also operate as an automatic submersible pump when needed to drain water from flooded areas.



Dimensional Outline

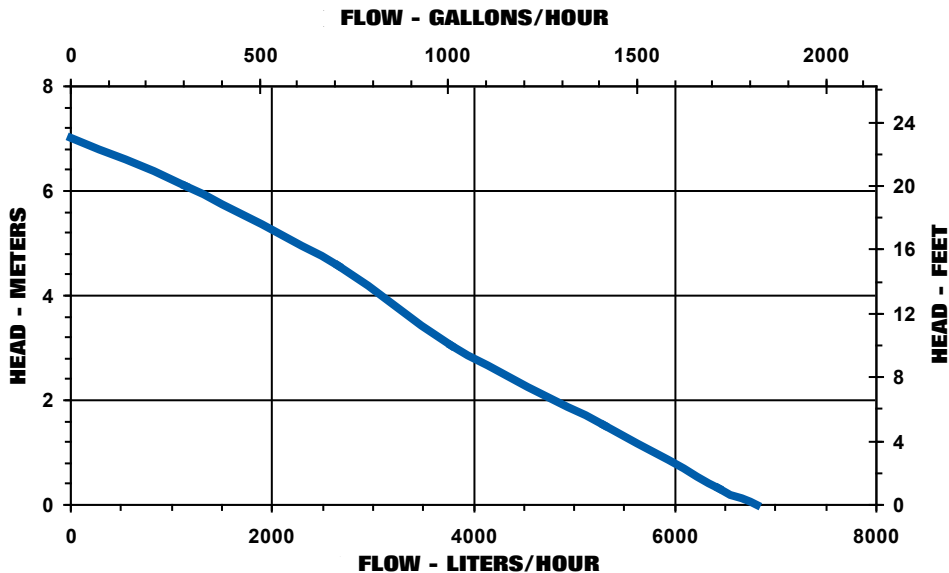


Specifications

Model No.	Item No.	Volts	HZ	Amps	Watts	Performance LHP at Head					Shut Off	Bar	Weight (Kg)	Dimensions in mm	UPC
						0.5m	1.5m	3.0m	5.0m	6.0m					
APCP-1700	577303	230	50	1.2	270	6342	5678	4637	2200	1250	6.55m	.642	5	211 x 305 x 305	0 10121 11103 5

*Requires electrical plug purchased separately.

Performance Curve



Franklin Electric
 3810 North Tulsa
 Oklahoma City, Ok 73112
 Tel: + 405-947-2511
 Fax: + 405-942-2431
 Email: export@LittleGiantPump.com
www.LittleGiant.com